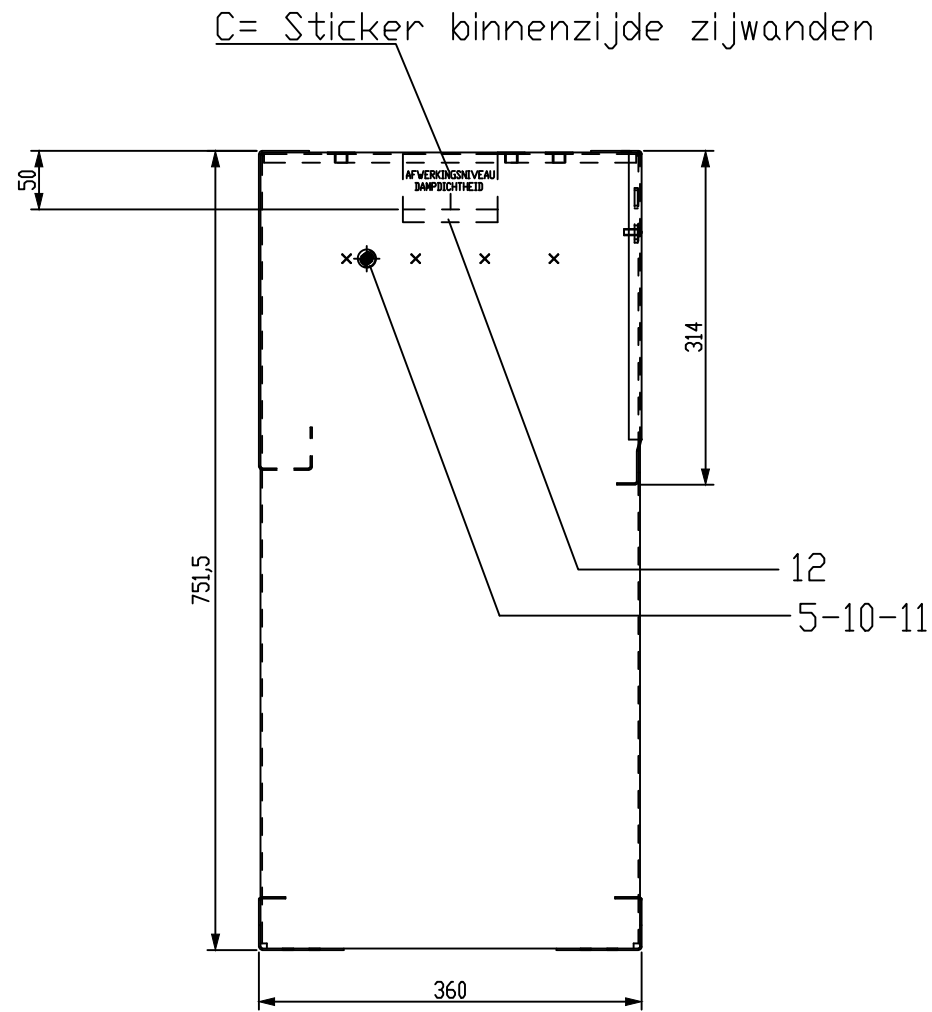
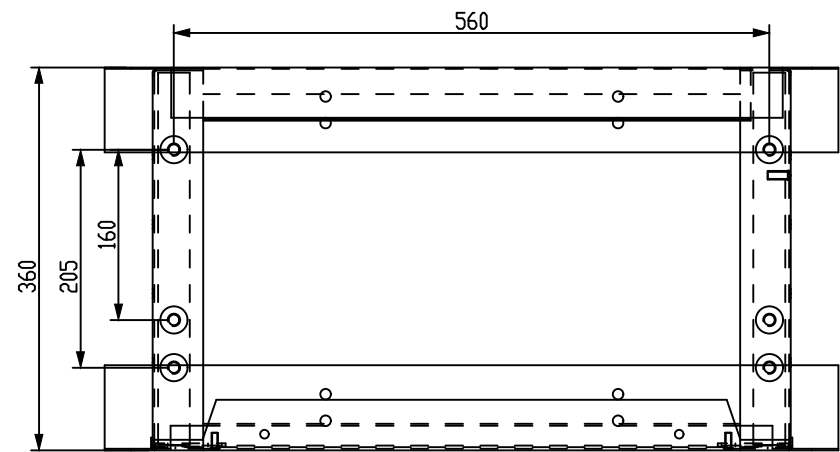
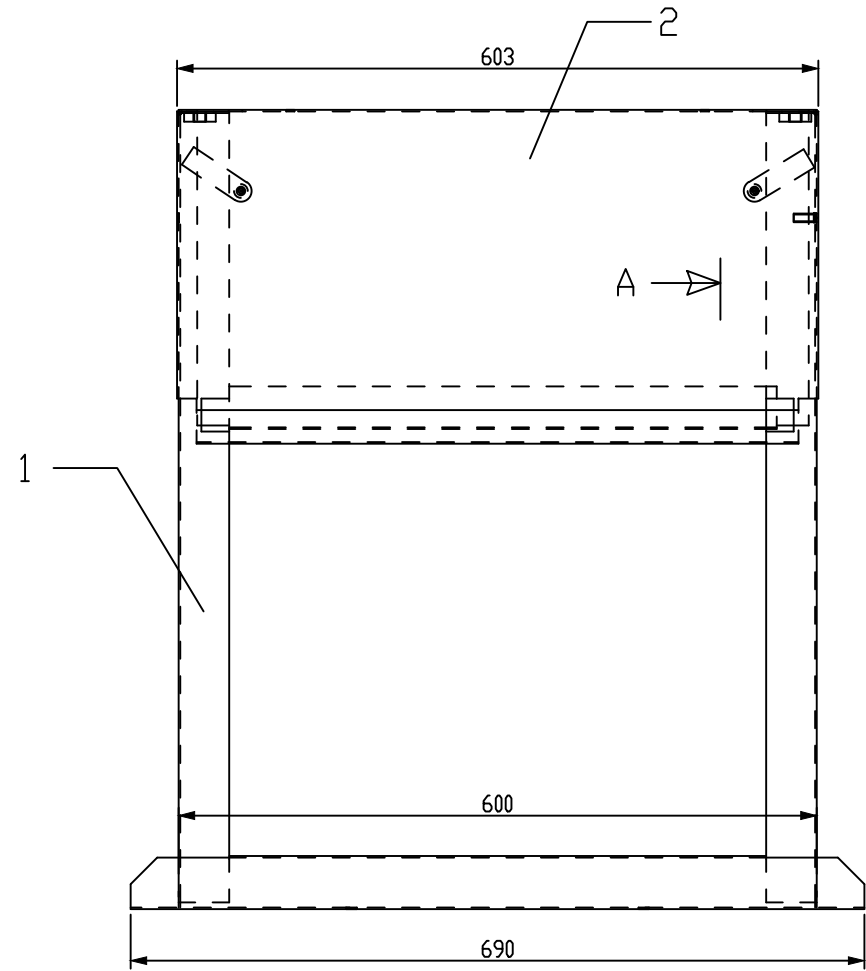
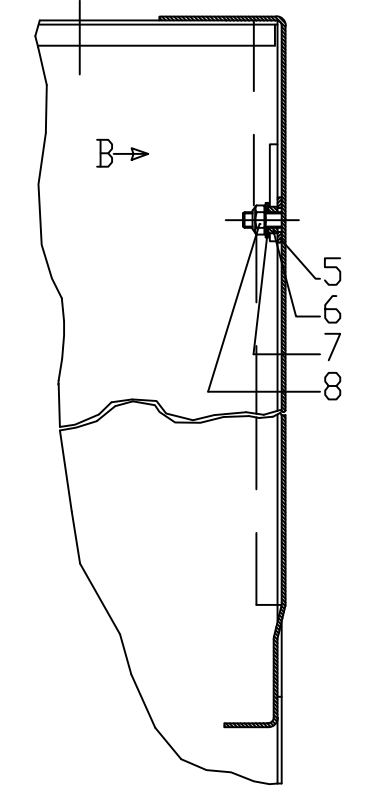


OPENBAAR

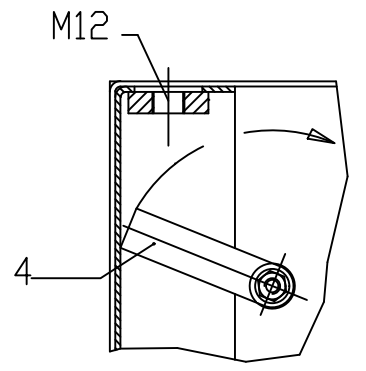
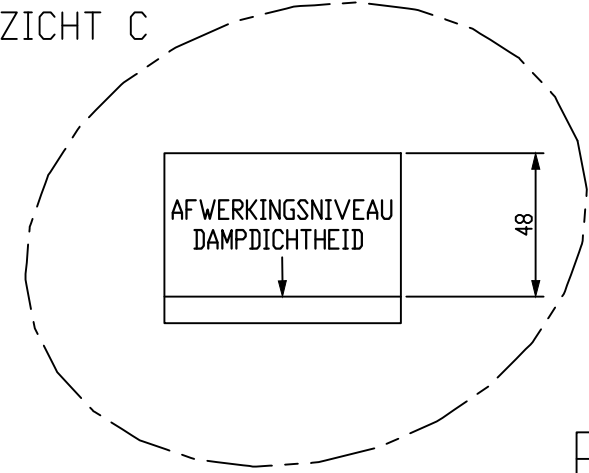


C= Sticker kinnenzijde zijwanden



DOORSNEDE A-A
SCHAAL 1:1

AANZICHT C



AANZICHT B
SCHAAL 1:1

| MET DE FUNDATIE MEELEVEREN: | | |
|-----------------------------|---------------------------|-----|
| POS. | BENAMING | Qty |
| 13 | Set Bevestigingsmateriaal | 1 |

| REVISION | DESCRIPTION | DATE | NAME | CHECKED | APPROVED | ECN NO |
|----------|-------------|------------|------|---------|----------|---------|
| 1 | | 2019-04-15 | EVD | | | C066492 |

| REMARK | | DESCRIPTION | |
|--------|--|-------------|--|
| | | | |

| PRODUCT | | MATERIAL | | POST TREATMENT | |
|---------|------------|-------------|--------|----------------|-----------------|
| ID | ID 6/8 DIG | DESCRIPTION | REM ID | DESCRIPTION | REM DESCRIPTION |
| 845697 | - | | | | |

| UNLESS OTHERWISE SPECIFIED | | | | | |
|----------------------------|-----------|--------------|-------------|--------|----------------|
| TOL DIMENSIONS | TOL ANGLE | FILLET & TOL | DRAFT ANGLE | OTHERS | CTQ |
| | | | | | 1:5 |
| | | | | | PROJECTION |
| | | | | | ASSEMBLY: |
| | | | | | SUPERSEDES: |
| | | | | | SUPERSEDED BY: |

GE Energy
The Netherlands

TITLE: - SUNK PEDESTAL 603x715,5x360
- FUNDATIE 603x715,5x360

845697
CAD FILE: A2 1 1
DRAW NO: 845697

Article or Material Must Conform to REACH Procedure S1900000 Sec.14
Article or Material Must Conform to RoHS Procedure S1900000 Sec.13
Part Must Conform to S1900000 Sec.4 Toxicity Procedure

GE PROPRIETARY AND CONFIDENTIAL INFORMATION: This document is the property of General Electric Company (GE) and contains proprietary information of GE. No part of this document may be reproduced, stored in a retrieval system, or transmitted in any form or by any means, electronic, mechanical, photocopying, recording, or by any information storage and retrieval system, without the express written permission of GE Energy. This document shall be returned to GE upon the request. This document may be subject to certain restrictions under U.S. export control laws and regulations.