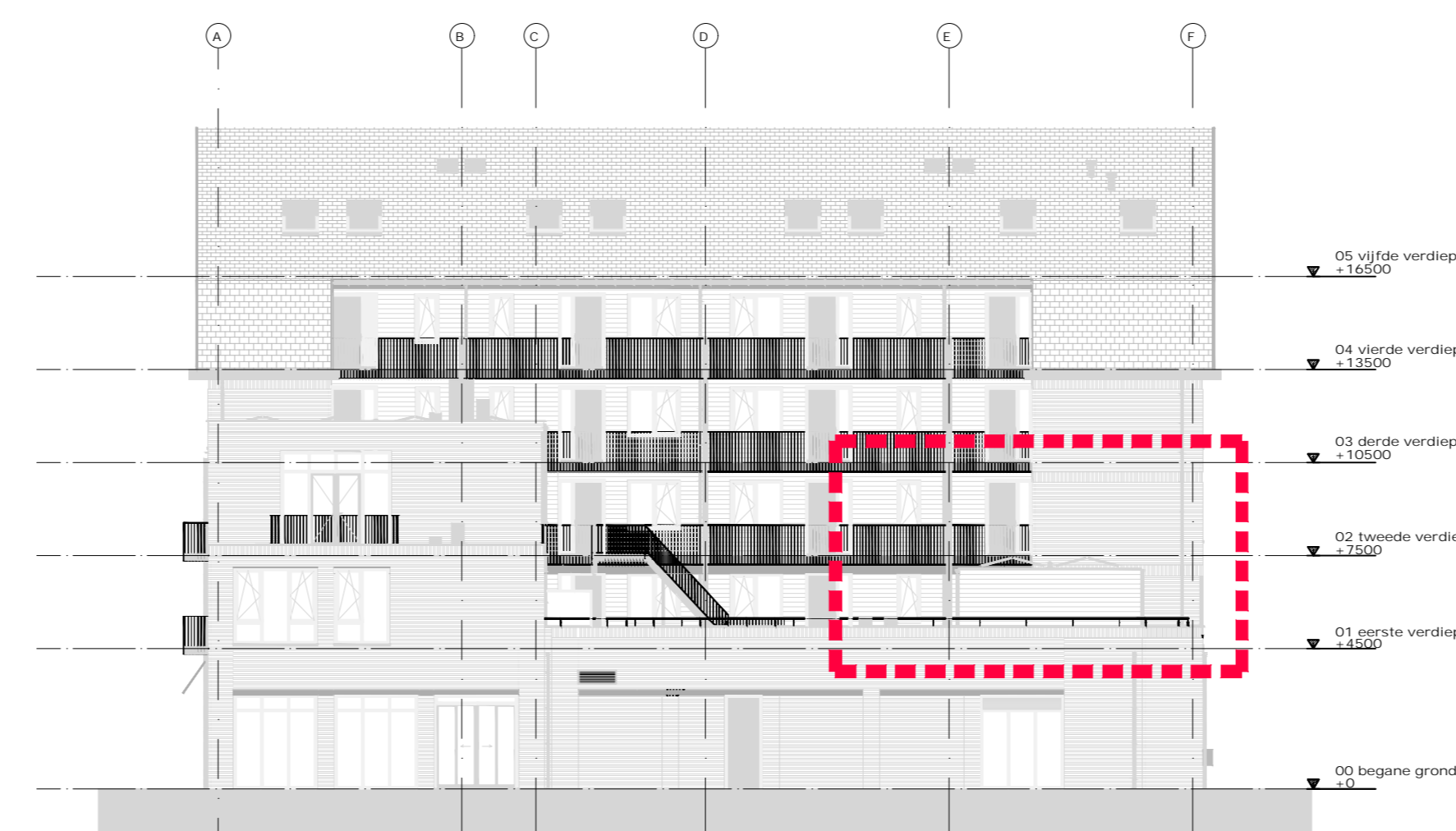
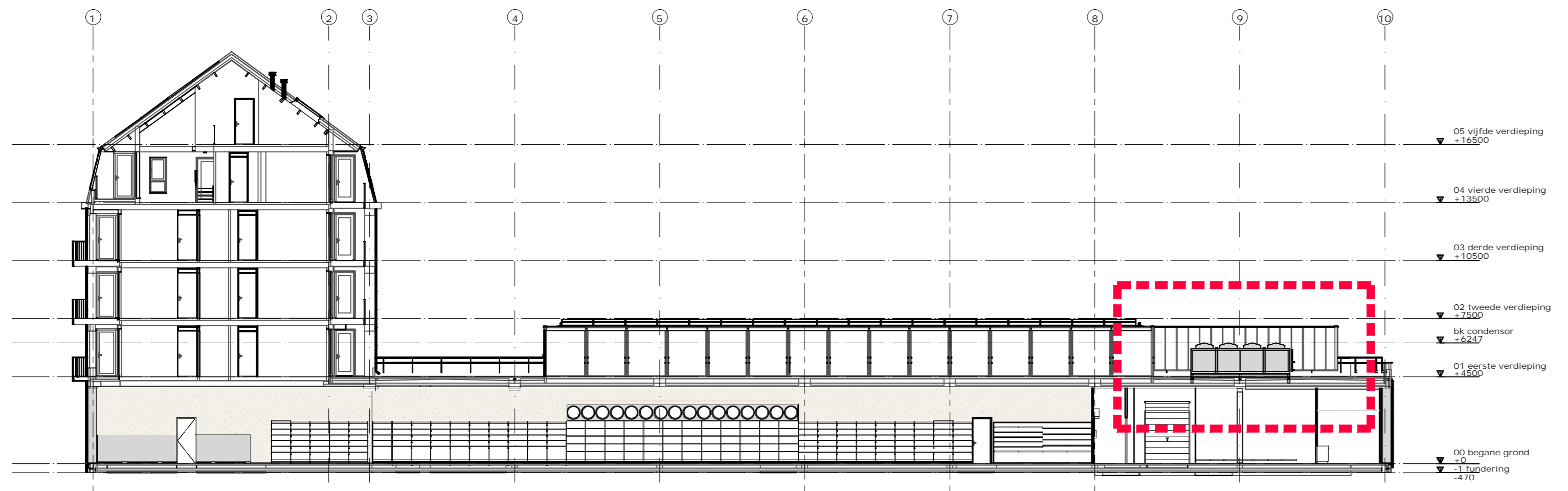


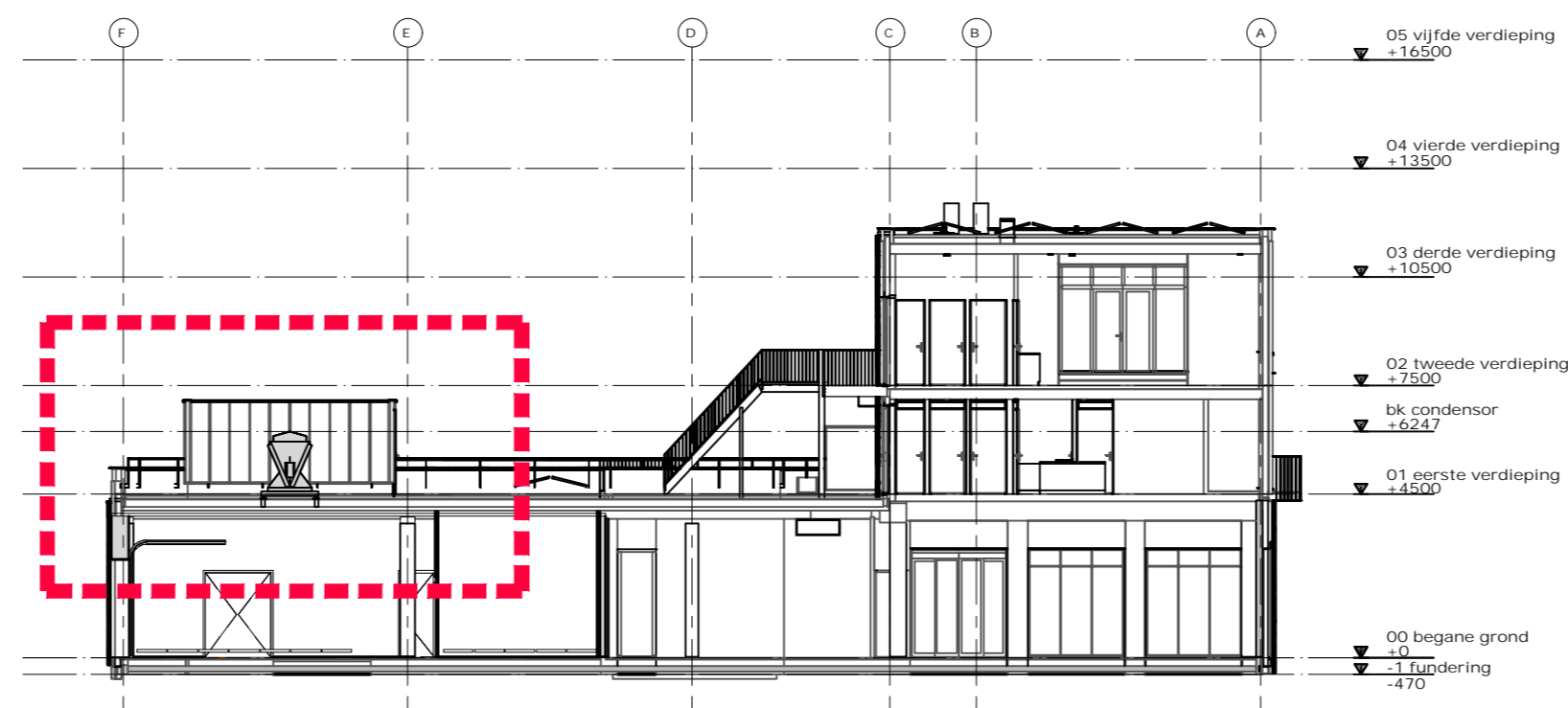
WESTGEVEL  
SCHAAL 1:200



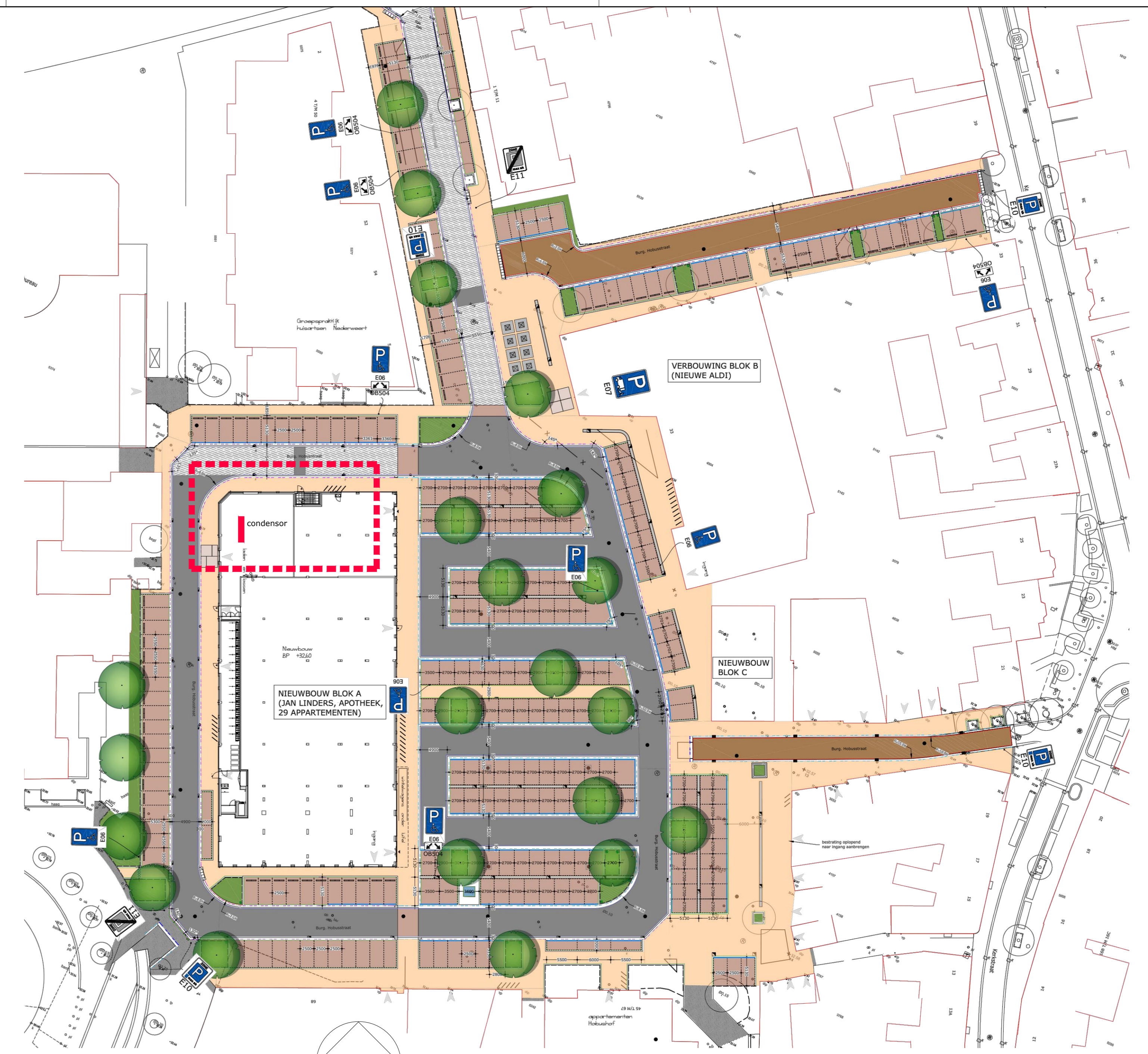
NOORDGEVEL  
SCHAAL 1:200



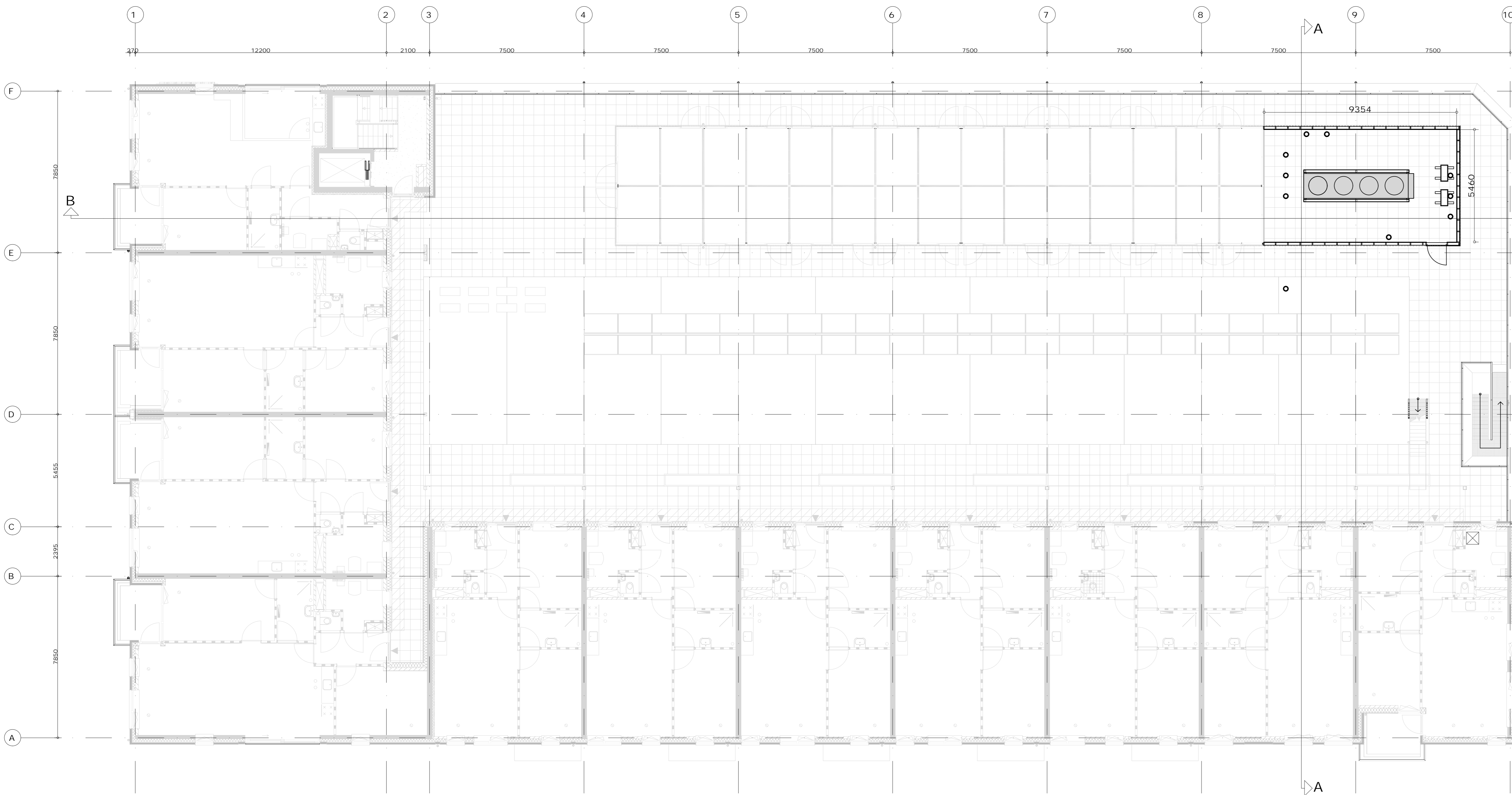
DOORSNEDE A-A  
SCHAAL 1:200



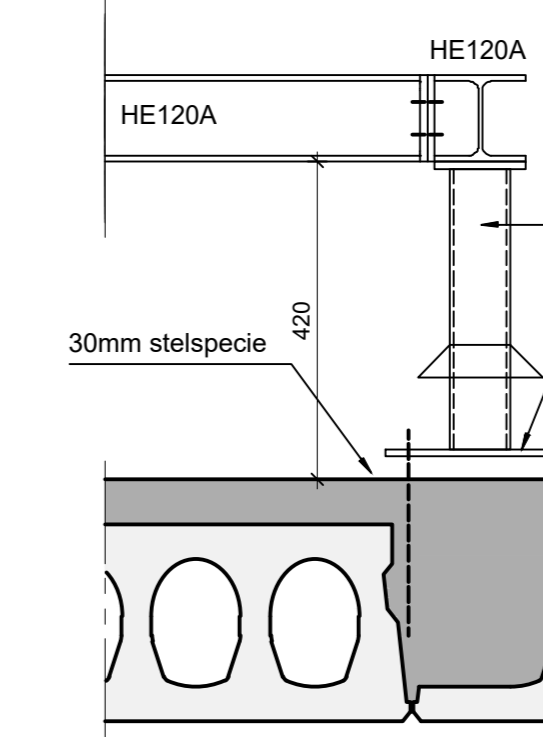
DOORSNEDE B-B  
SCHAAL 1:200



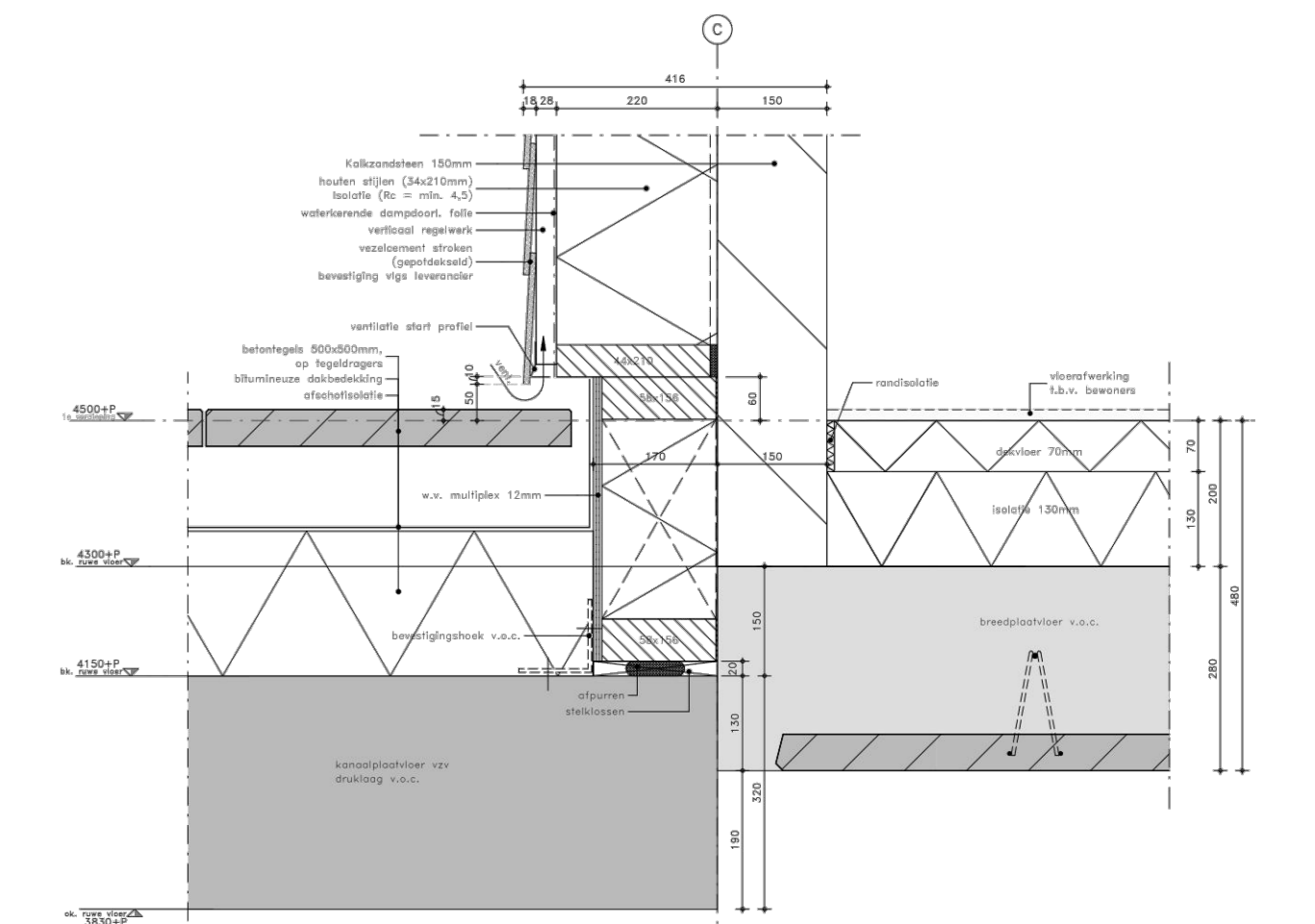
SITUATIE  
SCHAAL 1:500



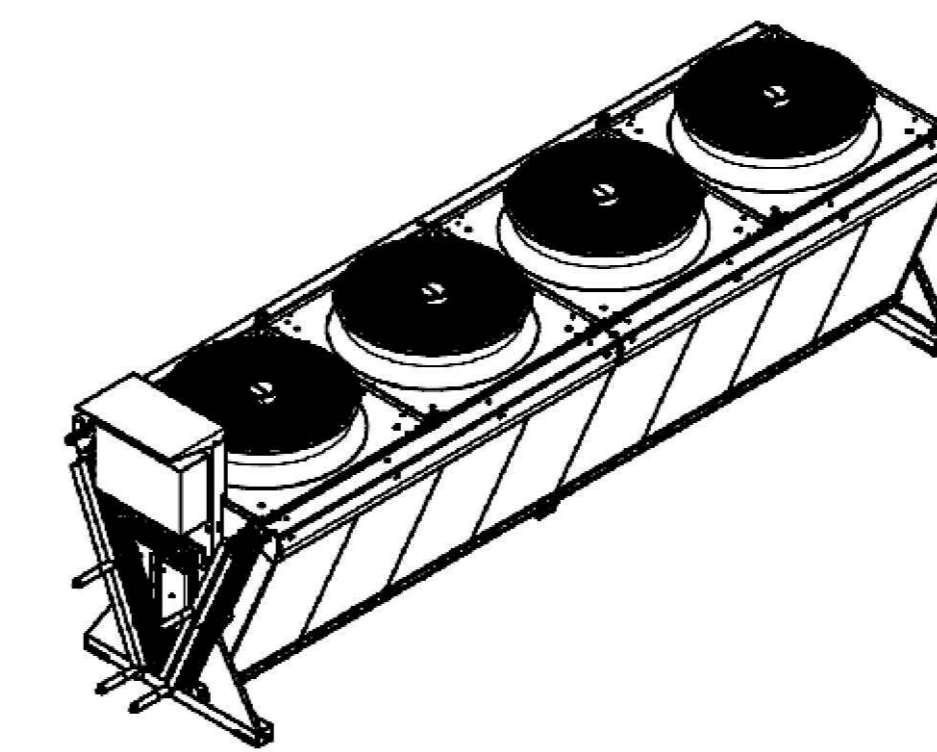
DAKOVERZICHT 1E VERDIEPING  
SCHAAL 1:100



PRINCIPE DETAILS  
FRAME CONDENSOR  
SCHAAL 1:10



PRINCIPE DETAILS  
CONDENSOR AFSCHIEDING  
SCHAAL 1:10



Date: 09/07/2021  
For the attention of:  
Reference:  
Operator:

**GAS COOLER**  
Type: ZHDVIX 4145 - SPEC. CO2 - EC fans - SUMMER

| Parameter       | Value |
|-----------------|-------|
| Capacity        | 1500  |
| Flow rate       | 1500  |
| Flow rate (max) | 1500  |
| Flow rate (min) | 1500  |
| Flow rate (avg) | 1500  |
| Flow rate (max) | 1500  |
| Flow rate (min) | 1500  |
| Flow rate (avg) | 1500  |

Source: 4000-000-0000

| Parameter       | Value |
|-----------------|-------|
| Capacity        | 1500  |
| Flow rate       | 1500  |
| Flow rate (max) | 1500  |
| Flow rate (min) | 1500  |
| Flow rate (avg) | 1500  |
| Flow rate (max) | 1500  |
| Flow rate (min) | 1500  |
| Flow rate (avg) | 1500  |

Source: 4000-000-0000



PROJECT  
Jumbo Nederweert  
Burg Hobusstraat 66, 6031 VA

CLIENT  
Jumbo Supermarkten  
Veghel

SUBJECT  
Condensor

DATE  
09-06-2022

SCALE  
1:100

PAPERSI ZE  
A0

DRAFTSMAN  
M. Brewster

DESIGNER  
Jumbo

PROJECTMANAGER  
Jumbo

JOBNUMBER  
22NL0078.V200

DRAWING NUMBER  
01

Marconbaan 42  
3439 MS Nieuwegein  
T +31 (0) 348 552011  
F +31 (0) 348 572722  
info@rbm-retail.com  
www.rbm-retail.com

**RBM**  
Retail Entry Management  
ISO 9001:2015 certified

Do not take measurements from this drawing.  
All measurements must be checked during work.