

Productblad 71 - A01 Paaltop armatuur variant 1 op 4 meter mast



1205 Polar - LED

Housing: In die-cast aluminium.

Cap: In turned aluminium

Diffuser: In vandal-resistant, V2 self-extinguishing polycarbonate, UV stabilised. Smooth and clear both inside and outside. The diffuser houses a louvre to direct the light beam downwards.

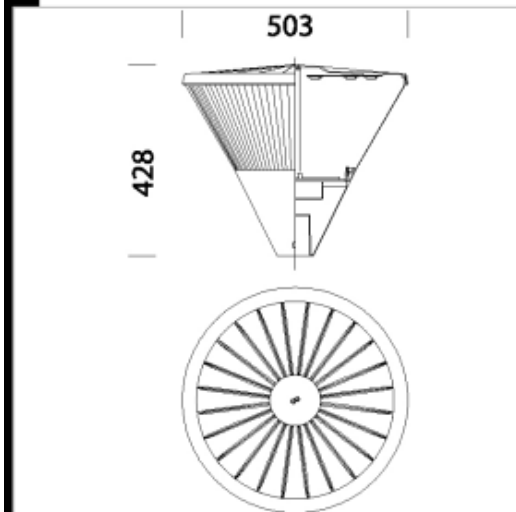
Painting: In several stages. First stage: black epoxy cationic electrocoating, resistant to corrosive and saline environments. Second stage: UV-stabilizing priming, and lastly rough finish with colour graphite or silver acrylic coating.

Standard supply: temperature control device inside the lamp with automatic recovery.

Mounting: On pole \varnothing 76/60 mm or arm.

Regulations: Produced according to applicable EN60598-1 CEI 34-21 standards, IP65IK08 degree of protection according to EN 60529 standards. Isolation class II

LED: Latest generation LED technology is equipped led 13920lm - 4000K 93W - 700mA. The total return of the equipment is close to 100%. Ta-20+40°C life 80%: 80.000h (L80B10). Photobiological safety class: exempt group EN62471.



Lichtkleur 3000k

Lumenstroom 1500lm

Levensduur minimaal 20 jaar.

Garantie volledig minimaal 5 jaar.

Driver voorzien van DALI sturing

Voorzien van SMART OVL

Productblad
A01