

## Productblad 71-A07 opschuif armatuur variant 2 op 8 meter mast

Stelvio o.g.



### 3270 Stelvio 1 - Plus - LED

Housing and cover: in die-cast aluminium and designed with a very small surface exposed to wind. Cooling fins are integrated into the cover. Pole connection: in die-cast aluminium and with gaskets to secure the frame according to different inclinations. Adjustable ranges: between 0° and 15° for side mount; and between 0° and 10° for mast-top mounting. Inclination pace: 5°. Suited for poles with a diameter 63-60mm Diffuser: clear, tempered glass, 4 mm thick, resistant to thermal shock and impacts (UNI-EN 12150-1 : 2001) Coating: polyester resin for powder coating, resistant to corrosion and saline environments. Standard supply: Automatic temperature control inside the device with automatic resetting. Electronic safety device to protect the LED module and the related ballast compliant with EN 61547. It works in two modes: - differential mode: surge between power cables and between the phase and neutral. - common mode: surge between power, L/N and ground cables or between the fixture's body if it is of class II and installed on a metal pole. Upon request: for Class II fixtures, protection up to 10KV. Equipment: complete with IP67 airtight connector for mains connection. Supplied with double insulation switch that cuts off electricity when the cover is opened. Energy-saving: the possibility to choose the correct drive current for LEDs will allow you to have the right power under specific design conditions, and also help you deal with maintenance and retrofitting problems. Using a lower current will improve the efficiency of fixtures and therefore increase energy savings, whilst a higher current will result in a higher light flux so that you can reduce the number of fixtures. Optics: in PMMA, highly resistant to temperature and UV radiation. Flow recovery in V2 polycarbonate. LED 4000K - 700mA - 16240lm - 109W - CRI70 (on request 350mA - 8390lm - 53W --- 530mA - 12180lm - 83W) LED 4000K - 700mA - 20880lm - 141W - CRI70 (on request 350mA - 11480lm - 69W --- 530mA - 15660lm - 106W) LED 4000K - 700mA - 25520lm - 172W - CRI70 (on request 350mA - 14040lm - 84W --- 530mA - 19140lm - 128W) LED 4000K - 700mA - 32480lm - 218W - CRI70 (on request 350mA - 17860lm - 107W --- 530mA - 24360lm - 166W) LED: Latest generation LED technology, Ta-30+40°C life 80%: 80.000h (L80B10).

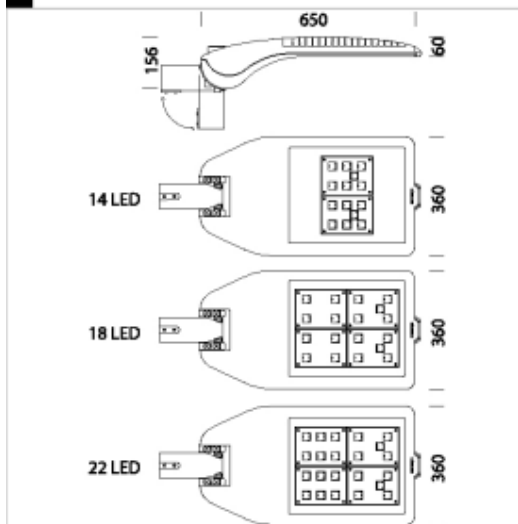
Photobiological safety class: exempt group EN62471.

Power factor >0.9

Regulations: Produced according to applicable EN60598-1 CEI 34-21 standards, degree of protection according to EN 60529 standards.

Upon request:

- with power supply 1-10 V dimmable with subcode 12.
  - with power supply DIG dimmable with subcode 0041.
  - with virtual midnight subcode 30.
  - power line carrier remote control systems subcode 0078.
- Wind surface: L:229cm² F:470cm².



Lichtkleur 3000k

Lumenstroom ....lm

Levensduur minimaal 20 jaar.

Garantie volledig minimaal 5 jaar.

Driver voorzien van DALI sturing

Voorzien van SMART OVL

Productblad  
A07