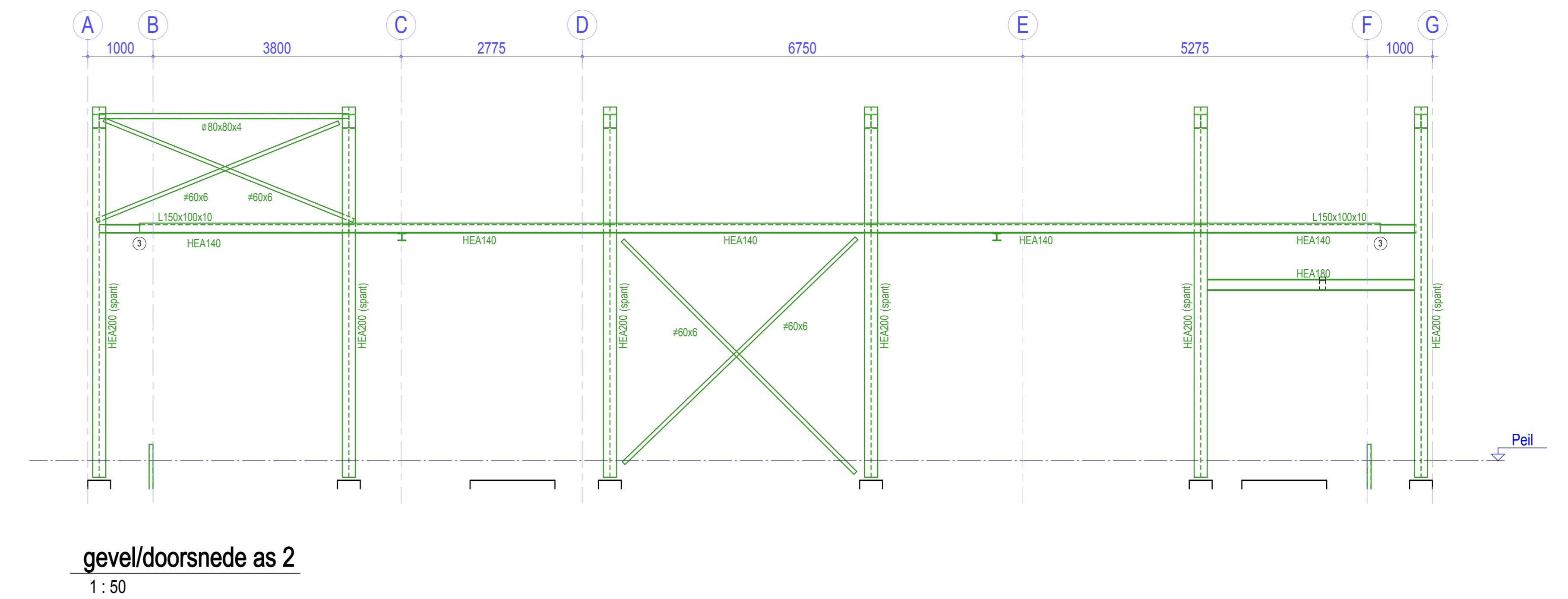
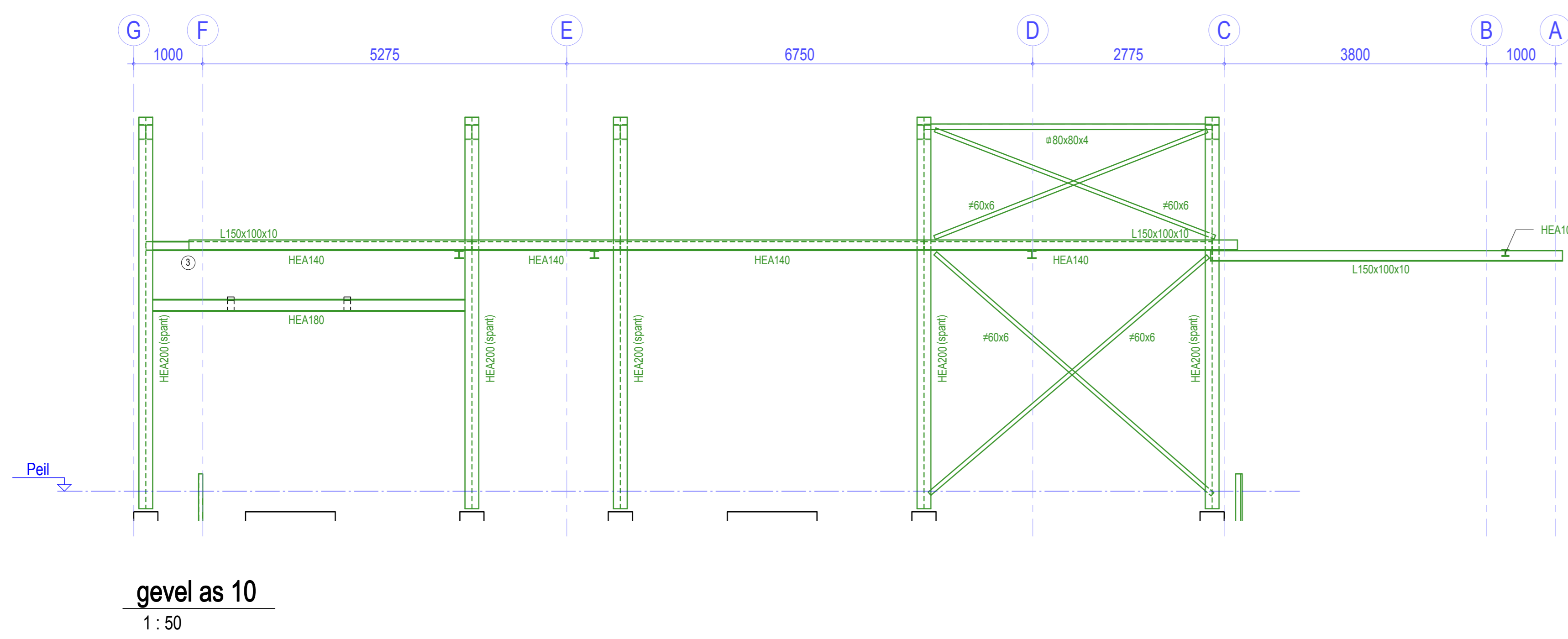


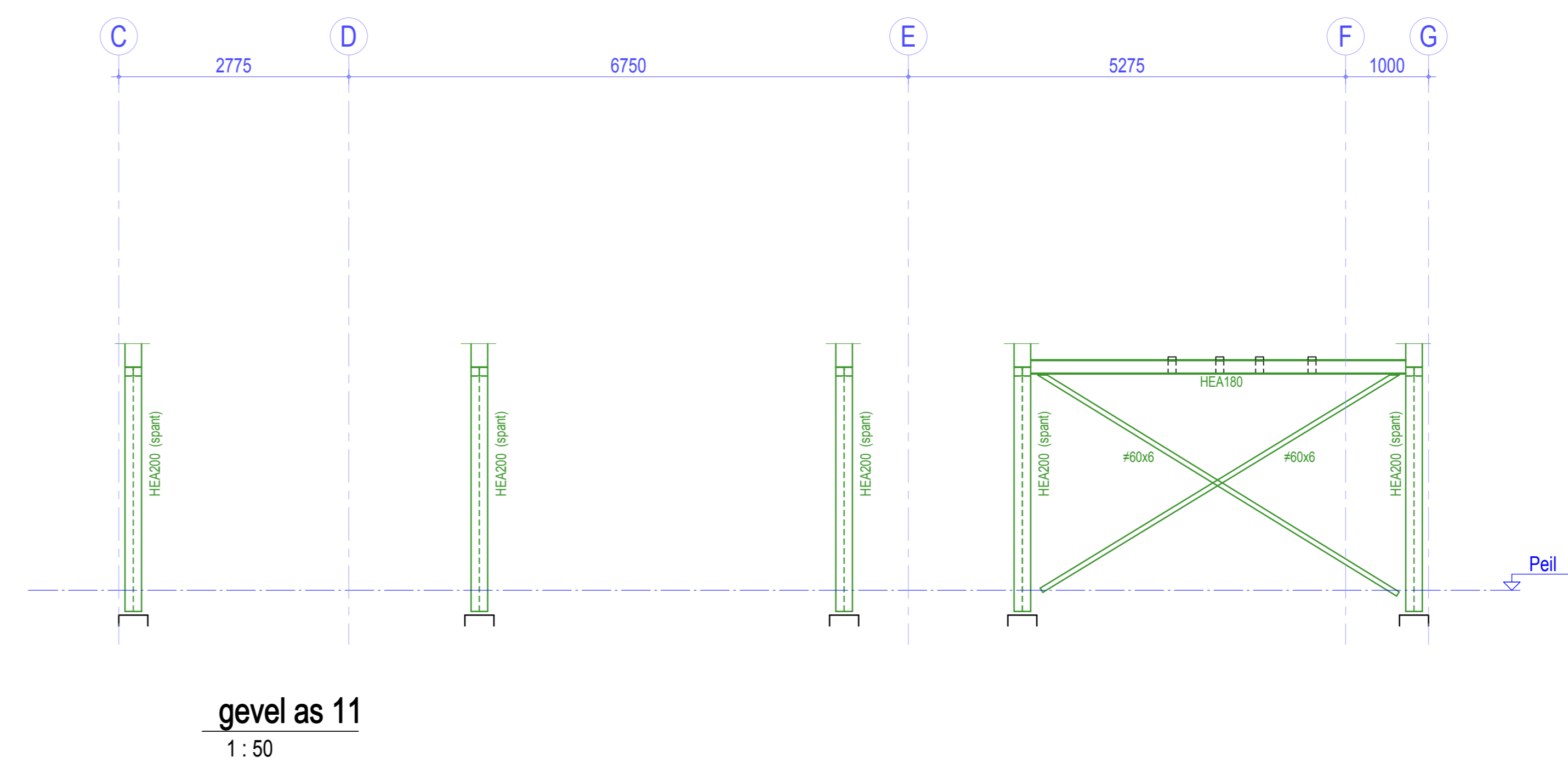
gevel as 1
1 : 50



gevel/doorsnede as 2
1 : 50



gevel as 10
1 : 50



gevel as 11
1 : 50