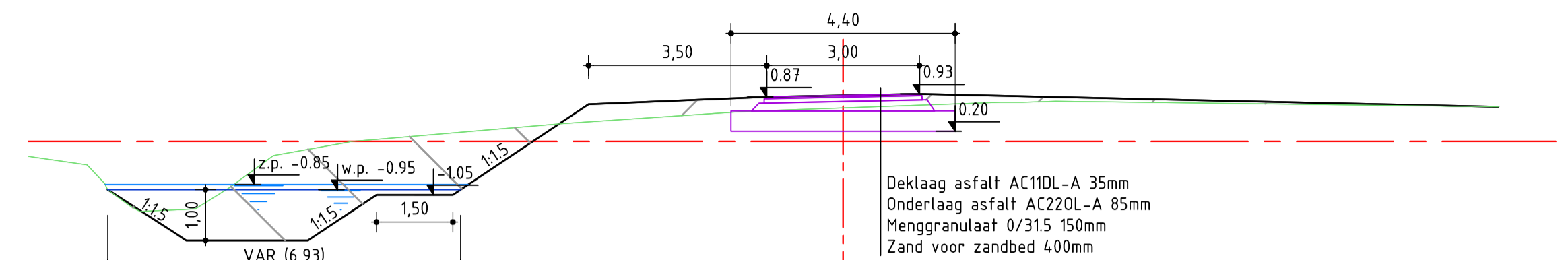


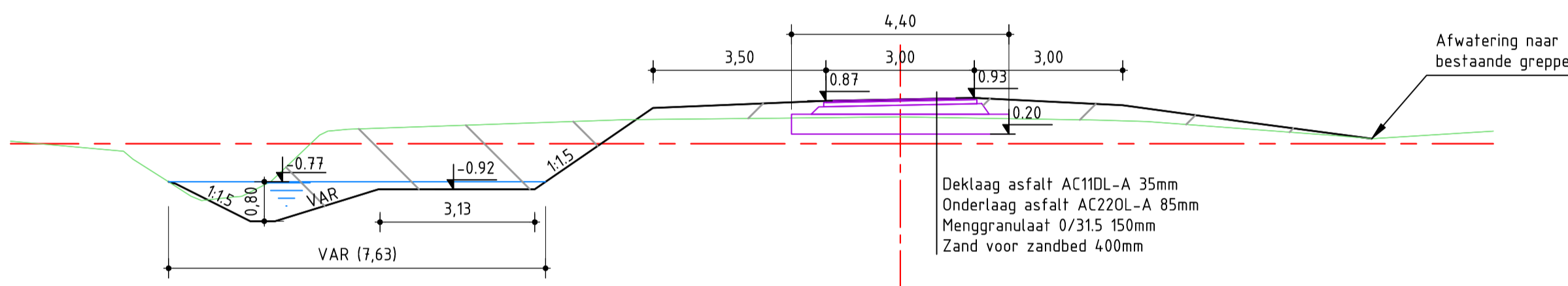
|   |  |  |  |  |  |  |  |  |  |  |  |  |  |  |  |  |  |  |  |  |  |  |  |  |  |
|---|--|--|--|--|--|--|--|--|--|--|--|--|--|--|--|--|--|--|--|--|--|--|--|--|--|
| MAAIVELDHOOGTE IN METERS NIEUWE SITUATIE  |  |  |  |  |  |  |  |  |  |  |  |  |  |  |  |  |  |  |  |  |  |  |  |  |  |
| AFSTAND UIT AS IN METERS NIEUWE SITUATIE  |  |  |  |  |  |  |  |  |  |  |  |  |  |  |  |  |  |  |  |  |  |  |  |  |  |
| MAAIVELDHOOGTE IN METERS HUIDIGE SITUATIE |  |  |  |  |  |  |  |  |  |  |  |  |  |  |  |  |  |  |  |  |  |  |  |  |  |
| AFSTAND UIT AS IN METERS HUIDIGE SITUATIE |  |  |  |  |  |  |  |  |  |  |  |  |  |  |  |  |  |  |  |  |  |  |  |  |  |

DWARSPROFIEL 1  
schaal 1:100



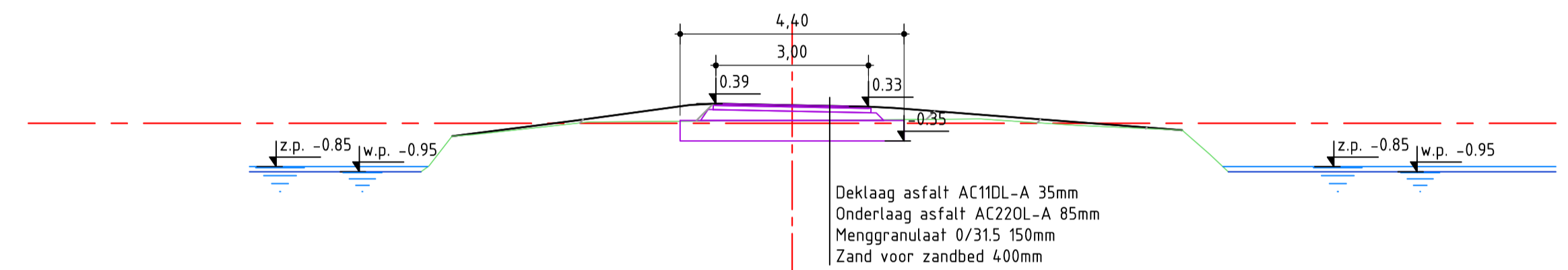
|   |  |  |  |  |  |  |  |  |  |  |  |  |  |  |  |  |  |  |  |  |  |  |  |  |  |
|---|--|--|--|--|--|--|--|--|--|--|--|--|--|--|--|--|--|--|--|--|--|--|--|--|--|
| MAAIVELDHOOGTE IN METERS NIEUWE SITUATIE  |  |  |  |  |  |  |  |  |  |  |  |  |  |  |  |  |  |  |  |  |  |  |  |  |  |
| AFSTAND UIT AS IN METERS NIEUWE SITUATIE  |  |  |  |  |  |  |  |  |  |  |  |  |  |  |  |  |  |  |  |  |  |  |  |  |  |
| MAAIVELDHOOGTE IN METERS HUIDIGE SITUATIE |  |  |  |  |  |  |  |  |  |  |  |  |  |  |  |  |  |  |  |  |  |  |  |  |  |
| AFSTAND UIT AS IN METERS HUIDIGE SITUATIE |  |  |  |  |  |  |  |  |  |  |  |  |  |  |  |  |  |  |  |  |  |  |  |  |  |

DWARSPROFIEL 4  
schaal 1:100



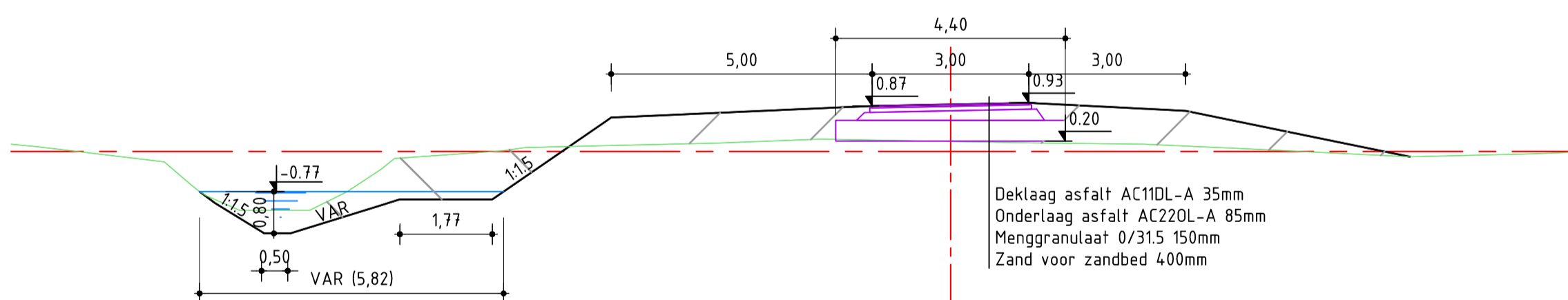
|   |  |  |  |  |  |  |  |  |  |  |  |  |  |  |  |  |  |  |  |  |  |  |  |  |  |
|---|--|--|--|--|--|--|--|--|--|--|--|--|--|--|--|--|--|--|--|--|--|--|--|--|--|
| MAAIVELDHOOGTE IN METERS NIEUWE SITUATIE  |  |  |  |  |  |  |  |  |  |  |  |  |  |  |  |  |  |  |  |  |  |  |  |  |  |
| AFSTAND UIT AS IN METERS NIEUWE SITUATIE  |  |  |  |  |  |  |  |  |  |  |  |  |  |  |  |  |  |  |  |  |  |  |  |  |  |
| MAAIVELDHOOGTE IN METERS HUIDIGE SITUATIE |  |  |  |  |  |  |  |  |  |  |  |  |  |  |  |  |  |  |  |  |  |  |  |  |  |
| AFSTAND UIT AS IN METERS HUIDIGE SITUATIE |  |  |  |  |  |  |  |  |  |  |  |  |  |  |  |  |  |  |  |  |  |  |  |  |  |

DWARSPROFIEL 2  
schaal 1:100



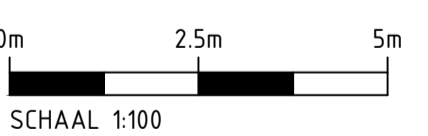
|   |  |  |  |  |  |  |  |  |  |  |  |  |  |  |  |  |  |  |  |  |  |  |  |  |  |
|---|--|--|--|--|--|--|--|--|--|--|--|--|--|--|--|--|--|--|--|--|--|--|--|--|--|
| MAAIVELDHOOGTE IN METERS NIEUWE SITUATIE  |  |  |  |  |  |  |  |  |  |  |  |  |  |  |  |  |  |  |  |  |  |  |  |  |  |
| AFSTAND UIT AS IN METERS NIEUWE SITUATIE  |  |  |  |  |  |  |  |  |  |  |  |  |  |  |  |  |  |  |  |  |  |  |  |  |  |
| MAAIVELDHOOGTE IN METERS HUIDIGE SITUATIE |  |  |  |  |  |  |  |  |  |  |  |  |  |  |  |  |  |  |  |  |  |  |  |  |  |
| AFSTAND UIT AS IN METERS HUIDIGE SITUATIE |  |  |  |  |  |  |  |  |  |  |  |  |  |  |  |  |  |  |  |  |  |  |  |  |  |

DWARSPROFIEL 5  
schaal 1:100



|   |  |  |  |  |  |  |  |  |  |  |  |  |  |  |  |  |  |  |  |  |  |  |  |  |  |
|---|--|--|--|--|--|--|--|--|--|--|--|--|--|--|--|--|--|--|--|--|--|--|--|--|--|
| MAAIVELDHOOGTE IN METERS NIEUWE SITUATIE  |  |  |  |  |  |  |  |  |  |  |  |  |  |  |  |  |  |  |  |  |  |  |  |  |  |
| AFSTAND UIT AS IN METERS NIEUWE SITUATIE  |  |  |  |  |  |  |  |  |  |  |  |  |  |  |  |  |  |  |  |  |  |  |  |  |  |
| MAAIVELDHOOGTE IN METERS HUIDIGE SITUATIE |  |  |  |  |  |  |  |  |  |  |  |  |  |  |  |  |  |  |  |  |  |  |  |  |  |
| AFSTAND UIT AS IN METERS HUIDIGE SITUATIE |  |  |  |  |  |  |  |  |  |  |  |  |  |  |  |  |  |  |  |  |  |  |  |  |  |

DWARSPROFIEL 3  
schaal 1:100



OPDRACHTGEVER  
**Provincie Utrecht**  
 provincie::Utrecht

PROJECTOMSCHRIJVING  
 Recreatie om de Stad  
 Verlengde Meerloop

TEKENINGNUMMER  
 18-022-300

DATUM  
 12-12-2019

TEKENAAR  
 M. de Haan

PROJECTLEIDER  
 M. de Haan

FASE  
 Ontwerp

SCHAAL  
 1:100

FORMAAT  
 A0

BLAD IN BLADEN  
 1 van 1

DE HAAN  
 CIVIELE TECHNIEK  
 ADVIES & ONTWERP