

VIEW P

Item	Symbol	Value
Tower bottom diameter	G1	11
Tower top diameter	G2	3.2
Rotor diameter	K1	136
Total height	K2	200
Blade tip width	K3	0.2
Blade root width	K4	3.2
Max blade width	K5	4.5
Distance tip - widest	K6	50
Cone angle	K7	2
Hub height	N1	132
Slope angle hub axis	N2	6
Hub height above ground level	N3	133
Height above generator	M1	65.5



Rev	Date	Init.	Description
A	14-6-2016		Preliminary issue
Drawn	14-6-2016	WdR	Surface roughness ISO 4287
Check	14-6-2016	-	ISO limits and fits NEN-ISO 286-2
Approve			Welding symbolic ISO 2553

Surf.treatment: -
Material: -

NEN-ISO 1101
 A
 A A

Gen. Tol. NEN-ISO 2768-c
 ISO 1302

American proj.

units size
 mm A3

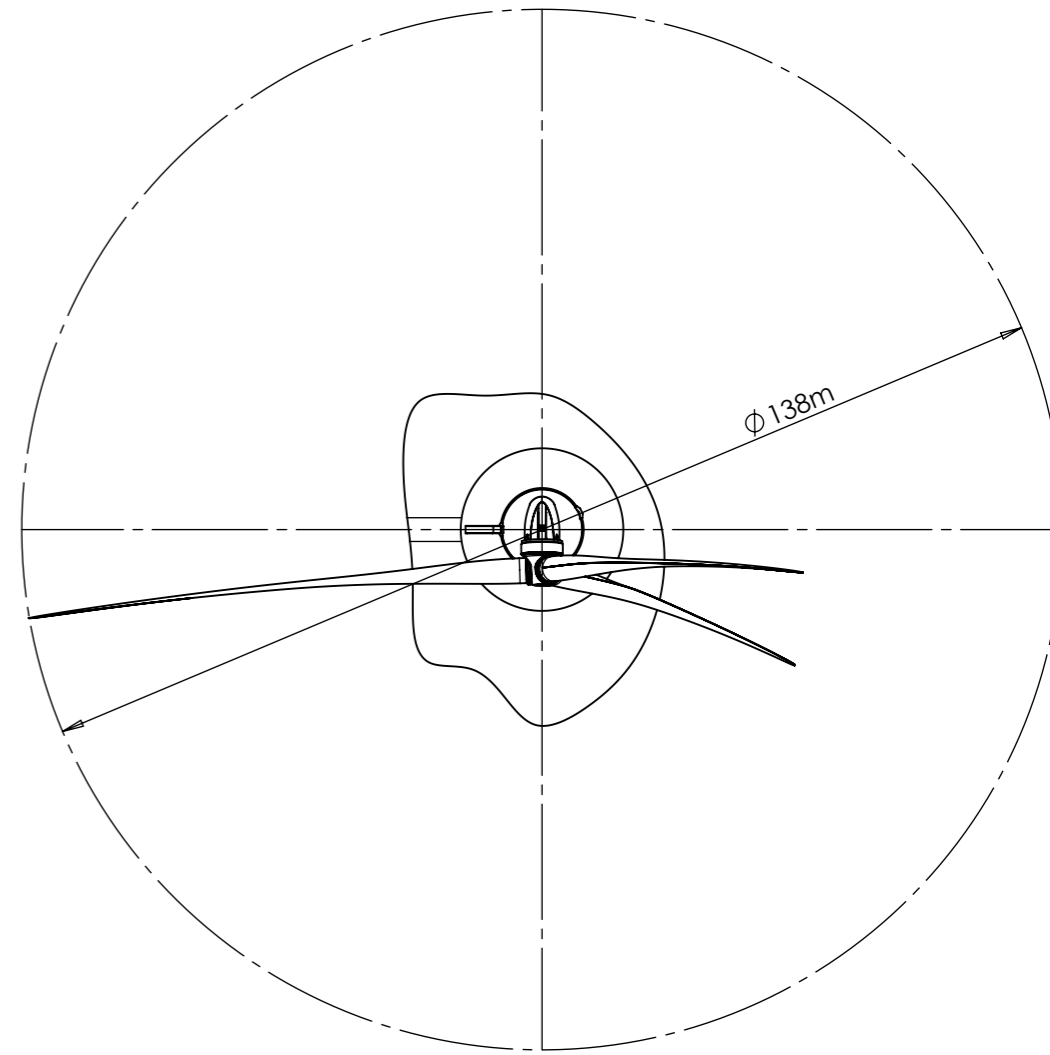
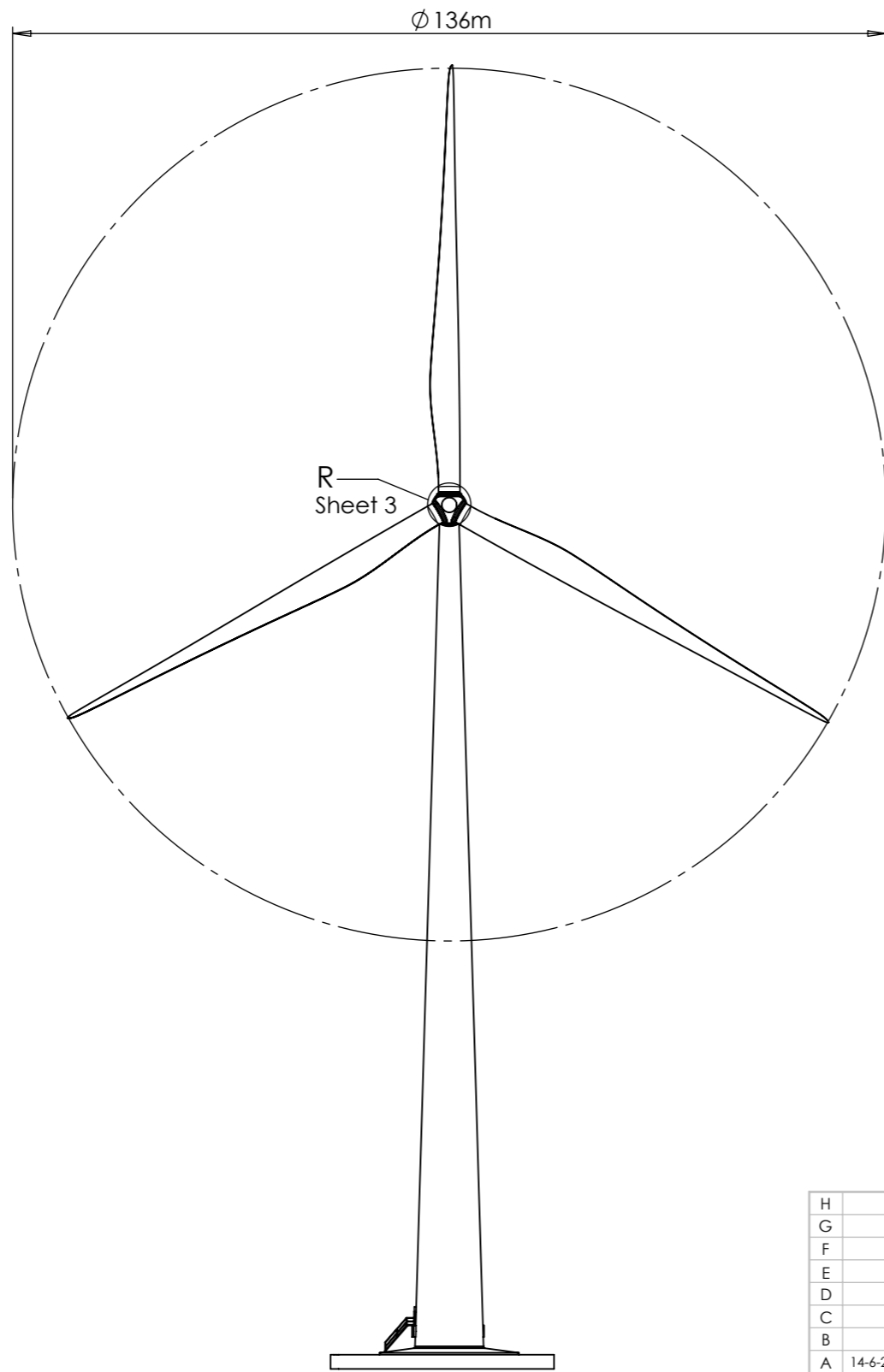
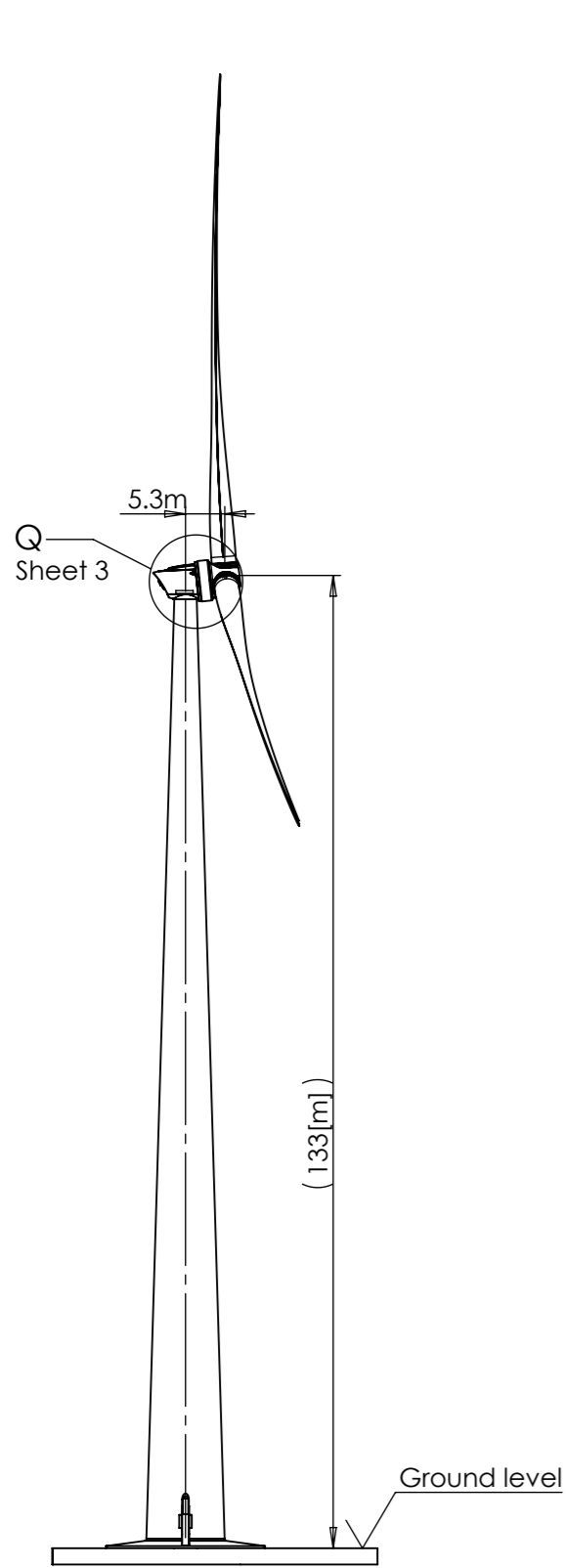
Module:
Turbine
 Description:
L136 4.5MW - Hub height 132m MST

Drawing no.: 20-000147
 Rev. A
 Document class no. M00-C7

Weight: - kg
 Scale: 1:1000
 Sheets: 1 of 3

This document is confidential. It contains confidential, proprietary and privileged information and unauthorised disclosure, reproduction or use is prohibited. It is subject to change without notice.



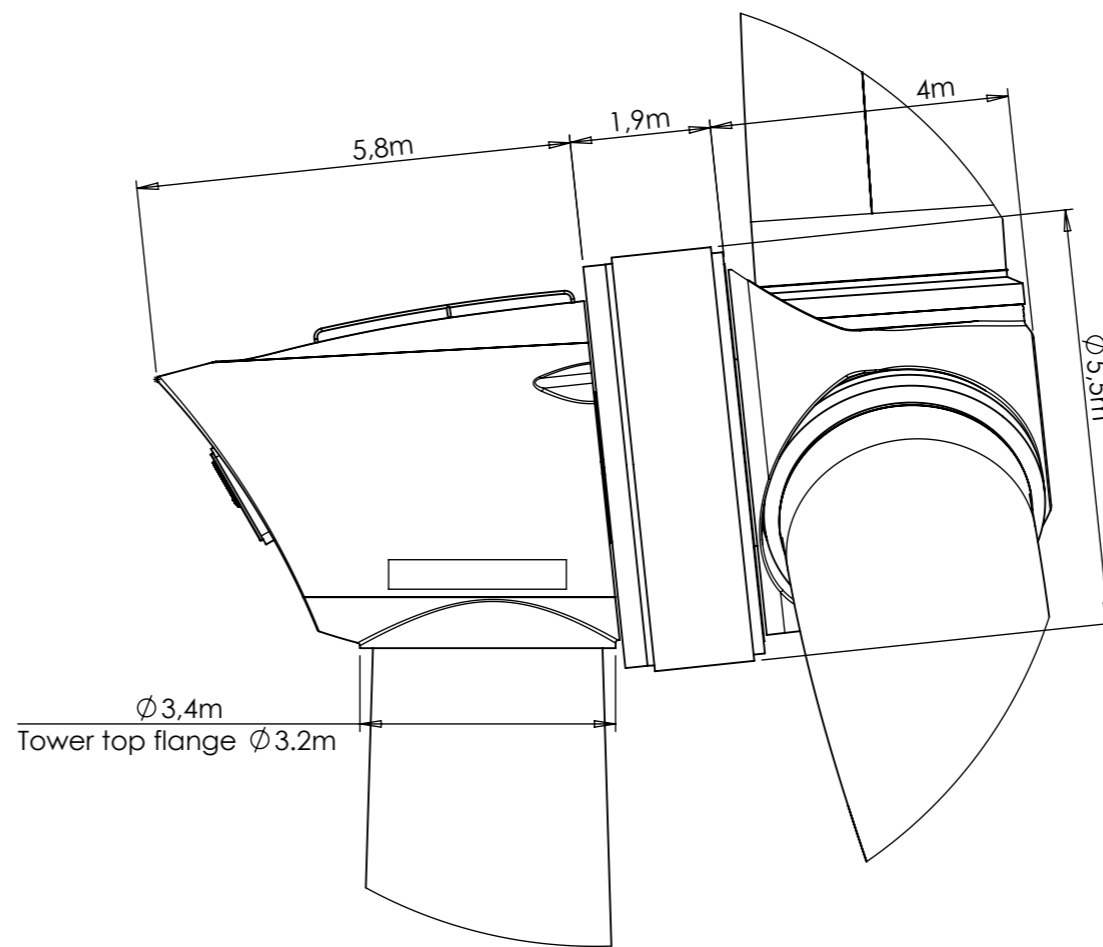


Top view with one blade horizontal
Circumscribed circle relative to tower center
Scale 1:1000

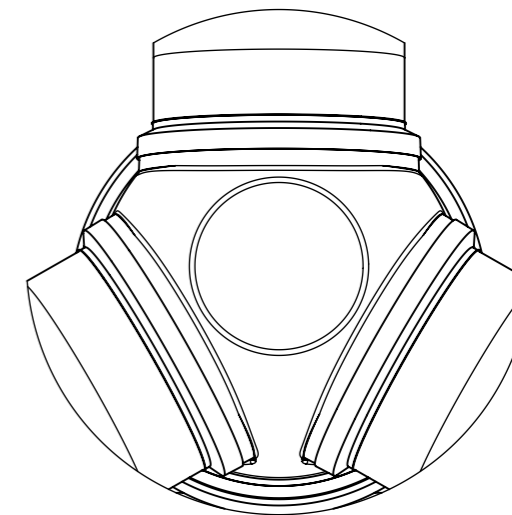
H				
G				
F				
E				
D				
C				
B				
A	14-6-2016	Preliminary issue		WdR
Rev	Date	Description		Init.
Drawn	14-6-2016	WdR		Surface roughness ISO 4287
Check	14-6-2016	-		ISO limits and fits NEN-ISO 286-2
Approve	Date	Initials	Sign	Welding symbolic ISO 2553



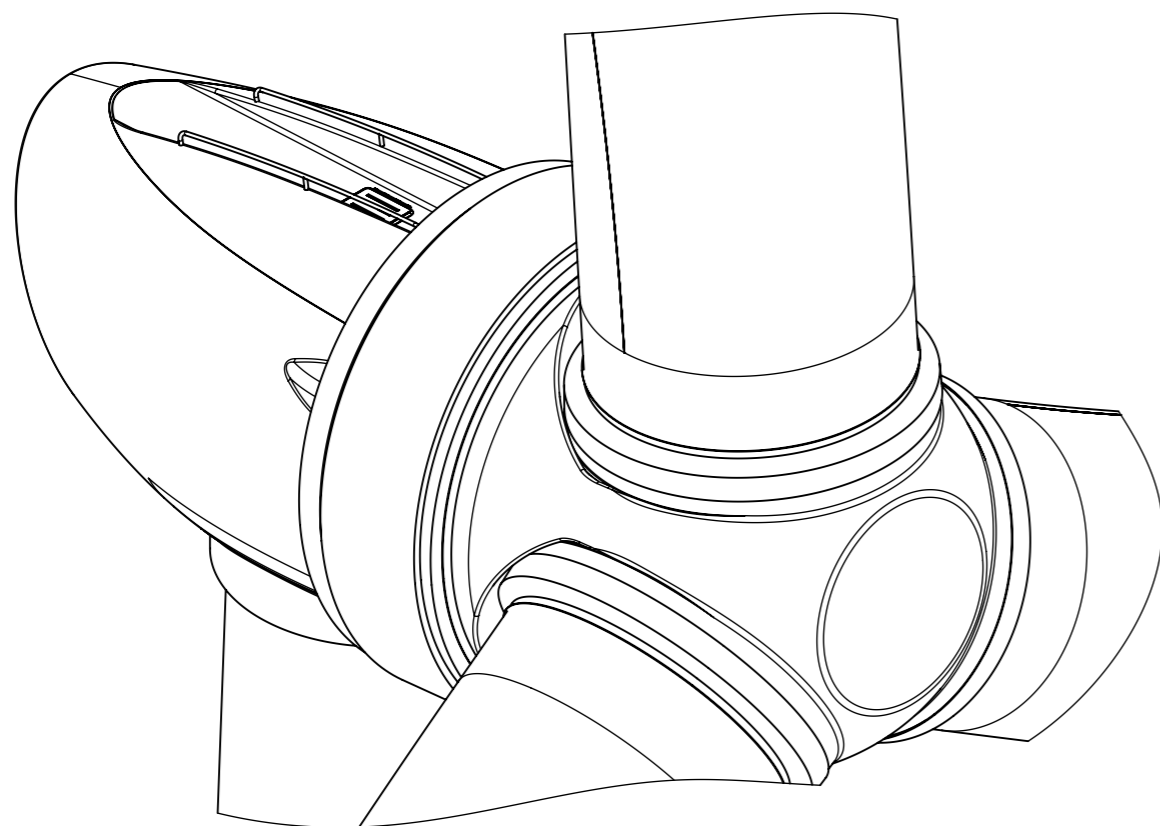
Surf.treatment: -	
Material: -	
NEN-ISO 1101	Module: Turbine
<input type="checkbox"/>	Description: L136 4.5MW - Hub height 132m MST
<input type="checkbox"/>	Drawing no.: 20-000147
<input type="checkbox"/>	Rev. A
<input type="checkbox"/>	Document class no. M00-C7
Gen. Tol. NEN-ISO 2768-c	Weight: - kg
ISO 1302 <input checked="" type="checkbox"/>	Scale: 1:1000
American proj. <input checked="" type="checkbox"/>	Sheets: 2 of 3
units mm	size A3
This document is confidential. It contains confidential, proprietary and privileged information and unauthorised disclosure, reproduction or use is prohibited. It is subject to change without notice.	



DETAIL Q



DETAIL R



Isometric view of turbine head

H									Surf.treatment: -
G									Material: -
F									NEN-ISO 1101 Module: Turbine
E									Description: L136 4.5MW - Hub height 132m MST
D									Drawing no.: 20-000147
C									Rev. A Document class no. M00-C7
B									Weight: - kg
A	14-6-2016	Preliminary issue							Scale: 1:100
Rev	Date	Description			Init.	WdR			Sheets: 3 of 3
Drawn	14-6-2016	WdR		Surface roughness ISO 4287					This document is confidential. It contains confidential, proprietary and privileged information and unauthorised disclosure, reproduction or use is prohibited. It is subject to change without notice.
Check	14-6-2016	-		ISO limits and fits NEN-ISO 286-2					
Approve	Date	Initials	Sign	Welding symbolic ISO 2553					

