

# Fundering y267

putvloer  $h=150\text{ mm}$  # $\bar{\phi}8-150$  in het midden

tpv   $h=250\text{ mm}$  # $\bar{\phi}8-150$  o/b

+ tpr as-E extra  $\bar{\phi}10-150$  bovenin

putwanden:

Buitenwand as-E  $h=500\text{ mm}$  # $\bar{\phi}8-150$  bu  
# $\bar{\phi}10-150$  bi hrsp  $\bar{\phi}8-300 + 3\bar{\phi}8$  bovenin wand

Buitenwand as-A  $h=450\text{ mm}$  # $\bar{\phi}8-150$  bi/bu  
hrsp  $\bar{\phi}8-300 + 4\bar{\phi}12 + 1\bar{\phi}8$  bovenin wand

Buitenwand as-1+7  $h=350\text{ mm}$  # $\bar{\phi}8-150$  bu  
# $\bar{\phi}10-150$  bi hrsp  $\bar{\phi}8-300 + 2\bar{\phi}12$  bovenin wand  
en  $2\bar{\phi}12$  onderin vloer

Tussenwand as-4  $h=500\text{ mm}$  # $\bar{\phi}8-150$  bi/bu  
hrsp  $\bar{\phi}8-300 + 5\bar{\phi}8$  bovenin en  $2\bar{\phi}12$  onderin vloer

Tussenwanden overig  $h=200\text{ mm}$  # $\bar{\phi}6-150$  bi/bu  
hrsp  $\bar{\phi}6-300 + 2\bar{\phi}12$  bovenin en  $2\bar{\phi}12$  onderin vloer

Sonderingen:

BEM1604977  
gemeente Steenberghe

koning's Grandboorbedrijf BV

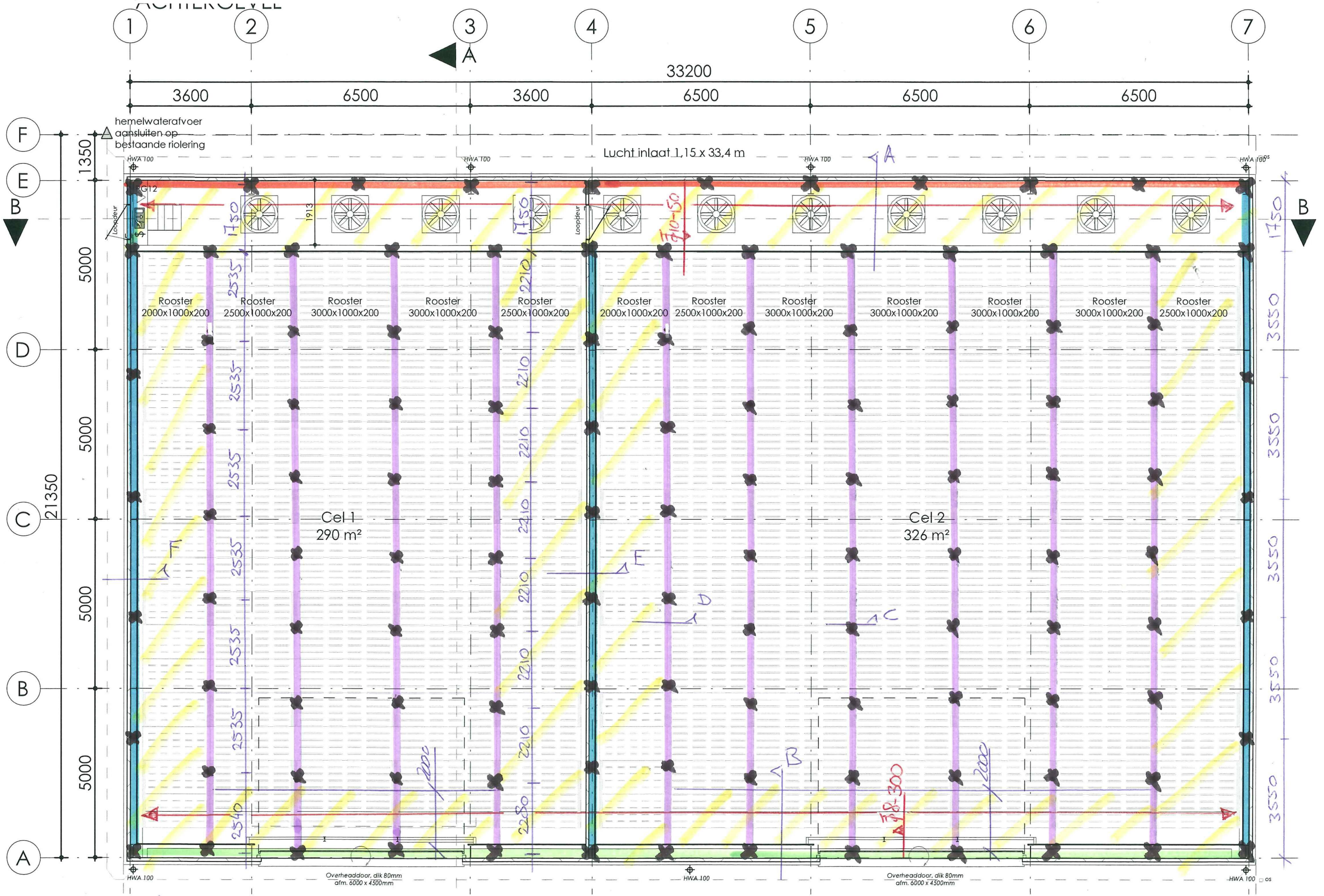
opdr. nr. 06378 d.d. 06-09-2016

✘ prefab palen  $\bar{\phi}290\text{ mm}$

inheinniveau 16,5m - NAP

Behoort bij beschikking	
d.d.	24-10-2016
nr.(s)	ZK16003613
Medewerker Publiekszaken/vergunningen	
	

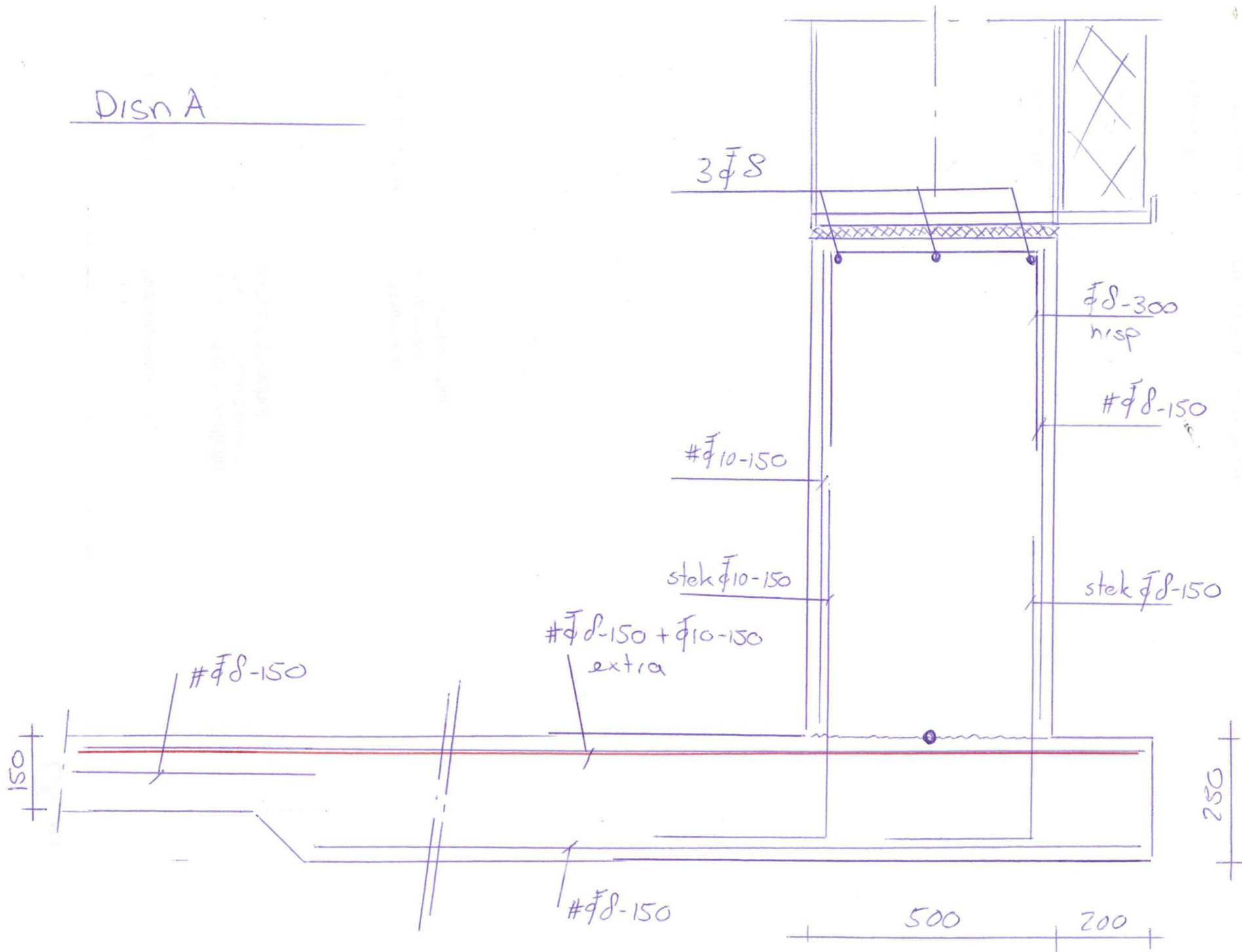


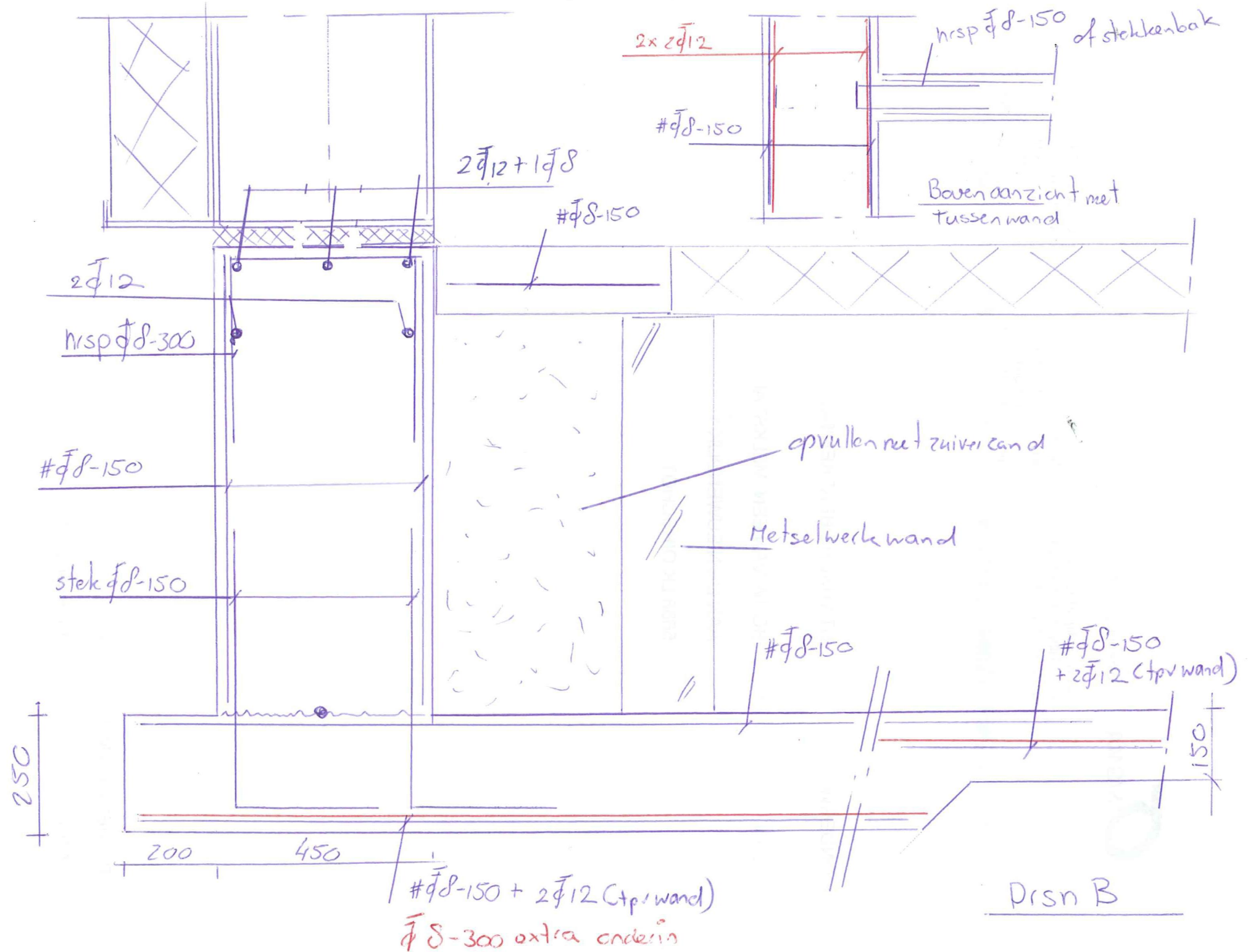


Fundering y267



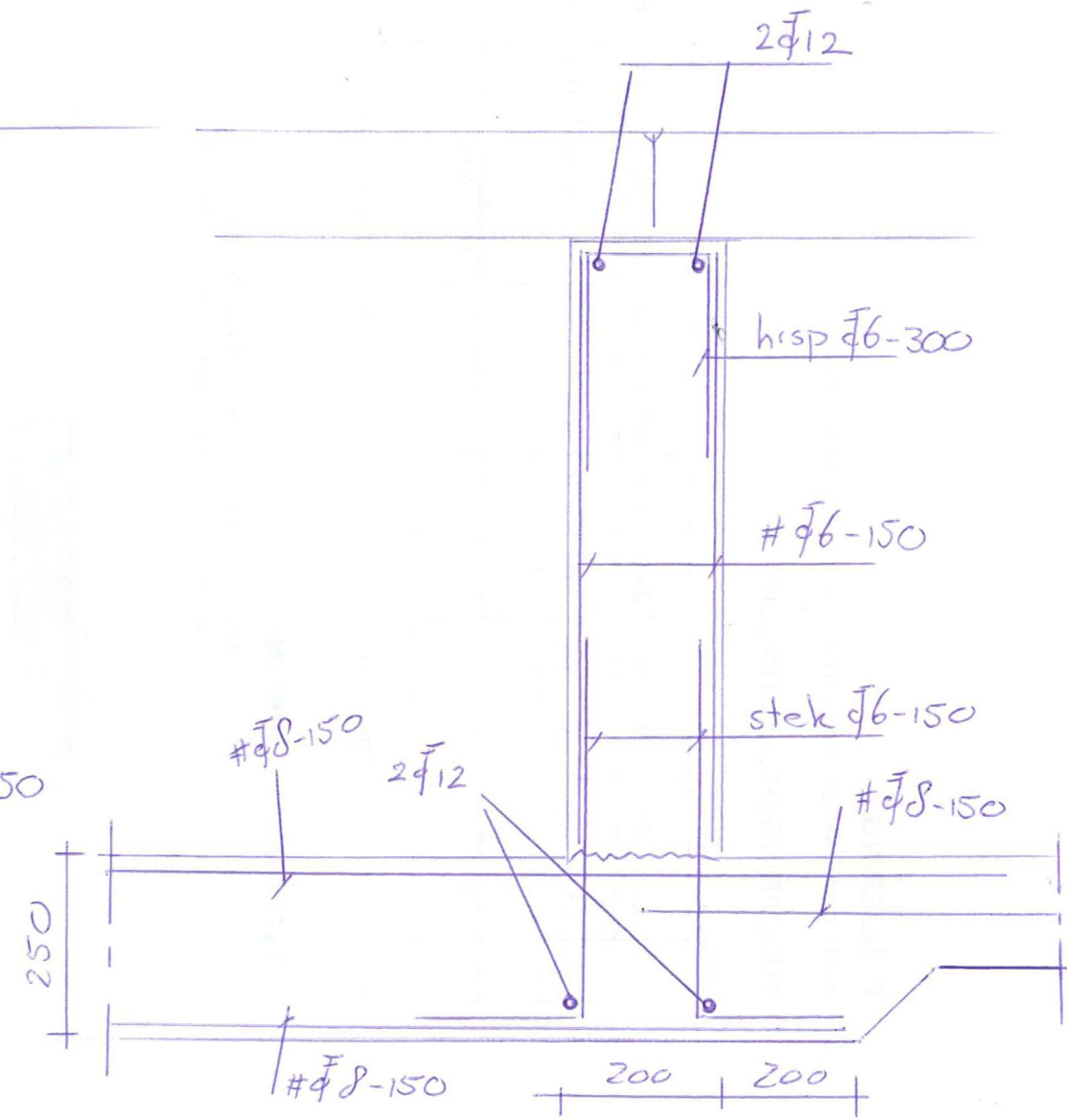
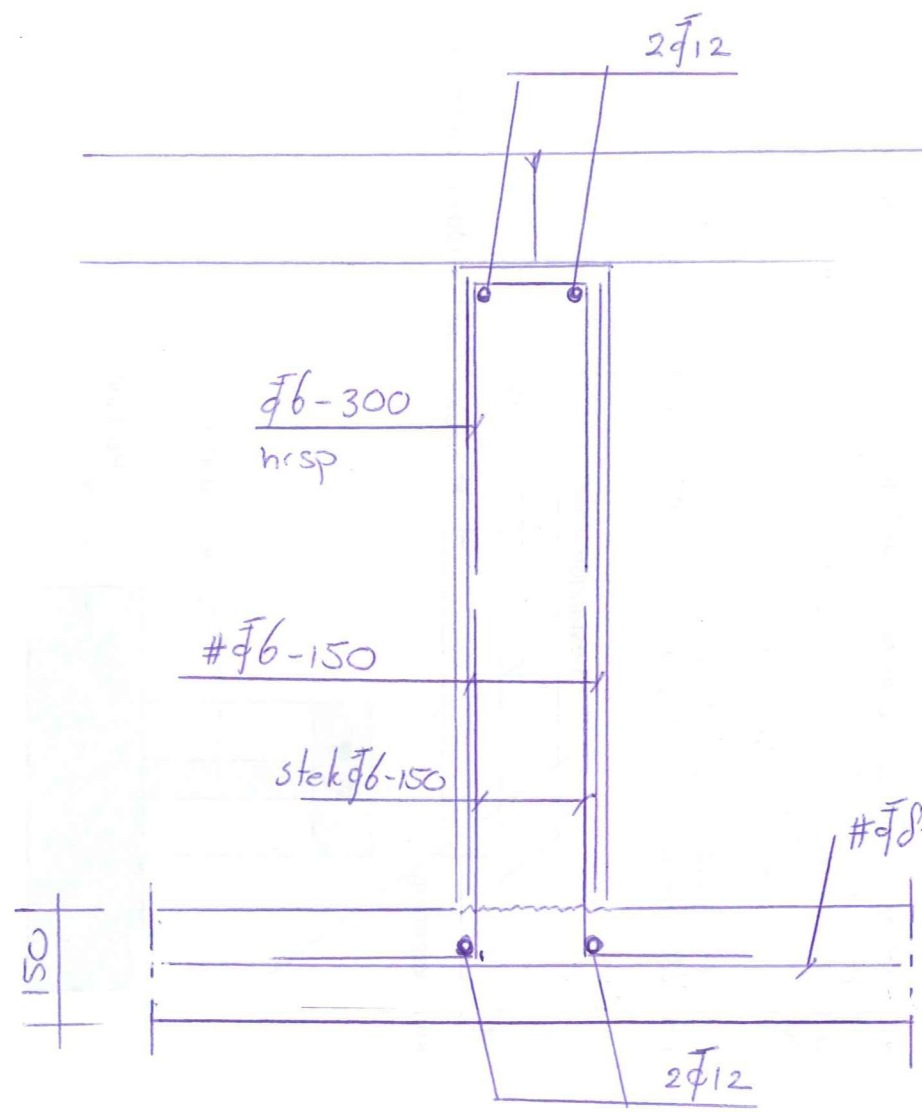
Disn A



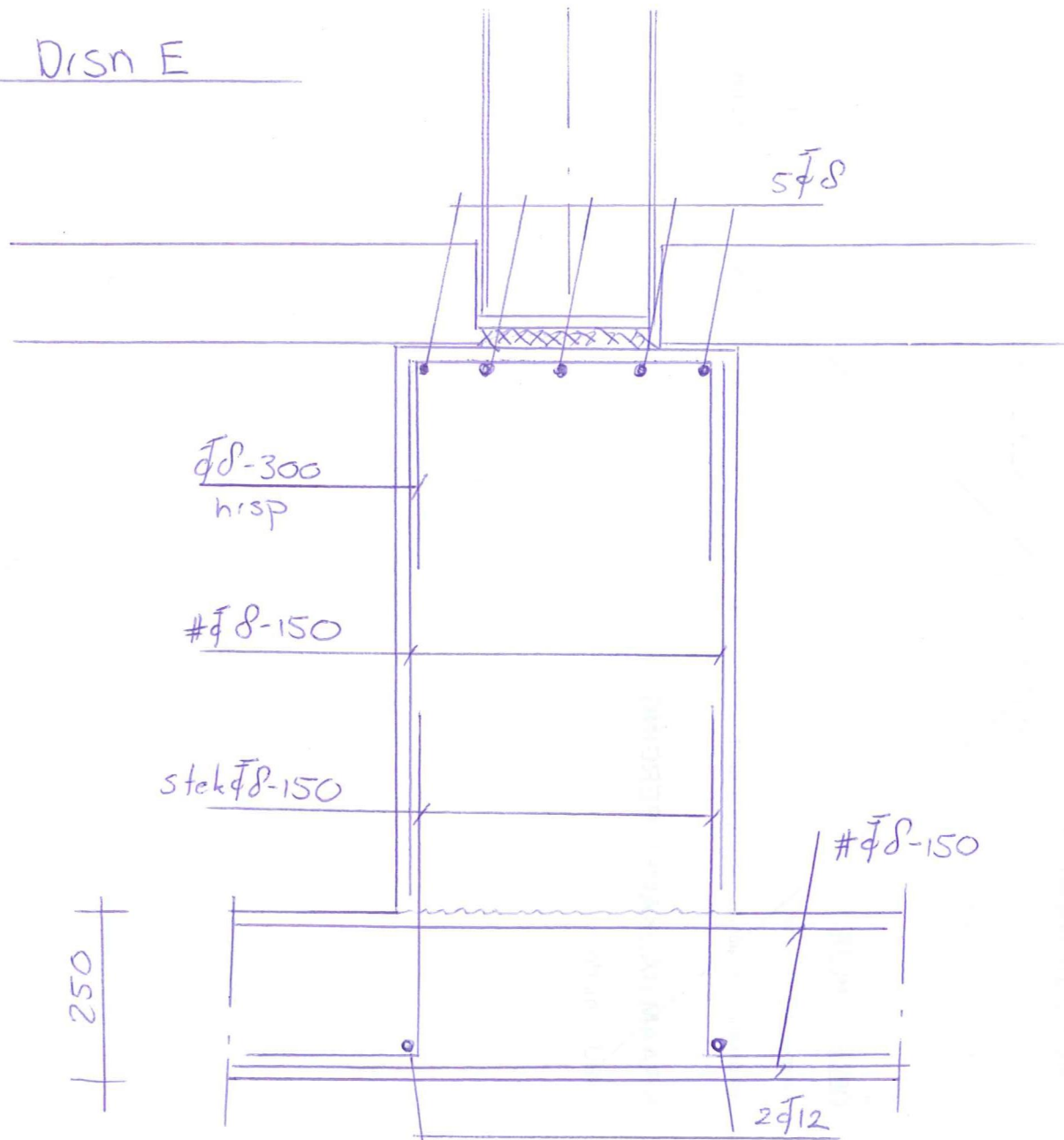


Drsn C

Drsn D



Disn E



Disn F

