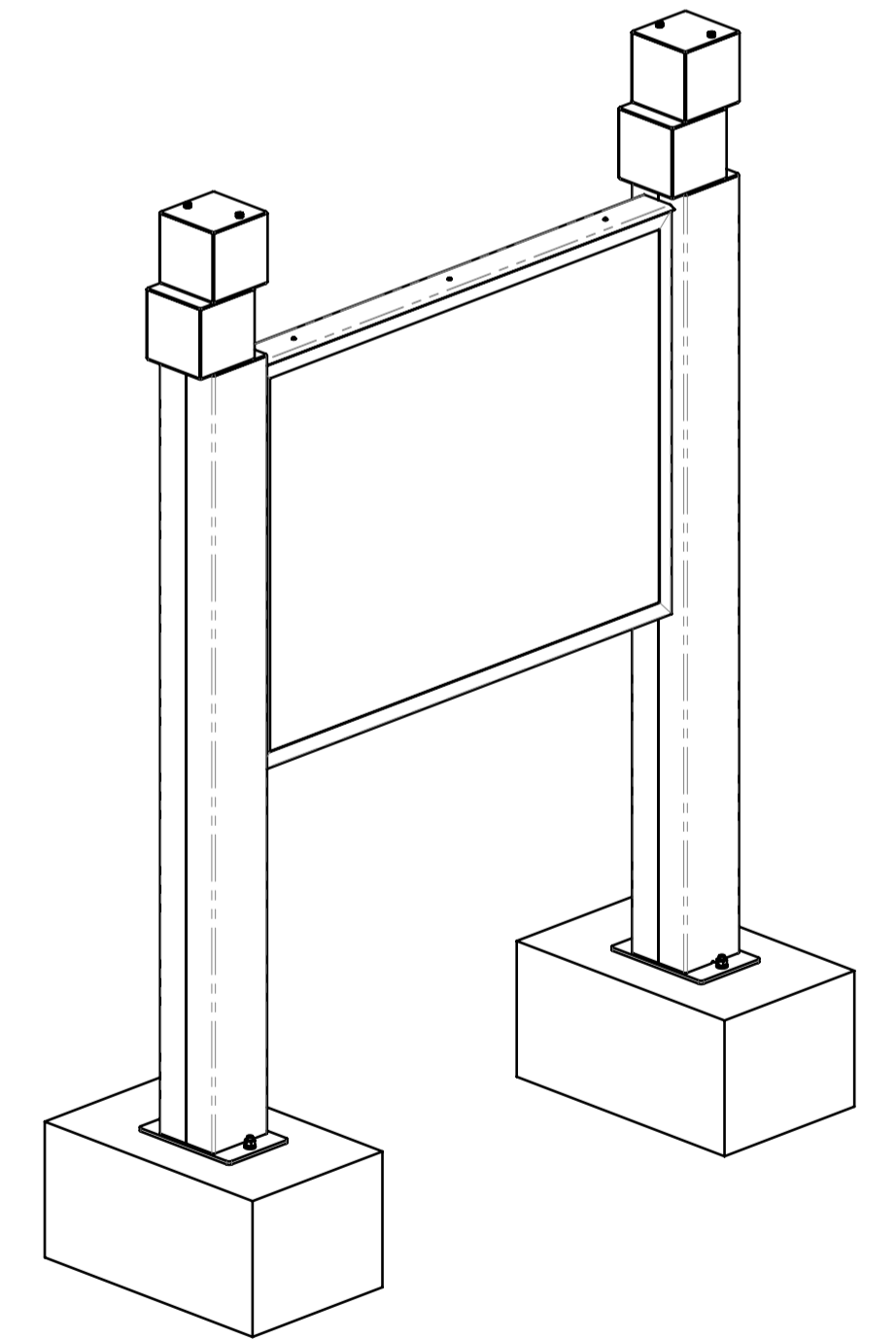


DETAIL E
SCALE 1 : 2

Behoort bij beschikking
 d.d. 20-10-2015
 nr.(s) ZK15000926
 Medewerker
 Publiekszaken/vergunningen



totale gewicht (zonder betonpoeren): ca. 300 kg.

BEM1504812
 gemeente Steenberghe

Title:	samenstelling Informatiebord	Drawn by:	
Subtitle:	Vrijetijdshuis Brabant	Revision:	0
Material:		Initials:	RV
Revision date:	22/12/11	Print date:	31/1/2012
Remarks:	ontbrekende maten via CAD-file		
Drawing number:	2011-018-024-00	Customer number:	
Project number:	2011-018	Serial number:	
Copyright:	2011	Scale:	1:10
Projection:	third angle projection	00011023	
Tolerances:	mm	Units:	mm
Dimension	± 0.5	Format:	A1
Angle	± 0.5°	Scale:	1:10
Roughness	x	do not scale drawing	

BRUNS

WWW.BRUNS.NL
 Bruns B.V. | Stolaksweg 11 | 5571 TJ | BERGELUK | The Netherlands
 Postbus 47 | 5570 AA | BERGELUK |
 T +31 (0) 497 577 027 | F +31 (0) 497 555 650
 E info@bruns.nl | W www.brunsnl

ISO 9001 - VCA certified