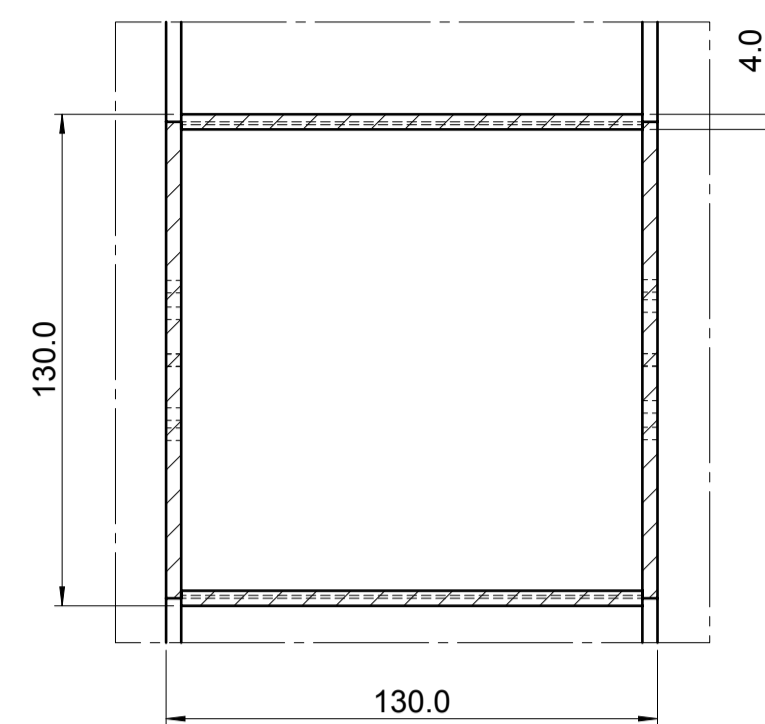
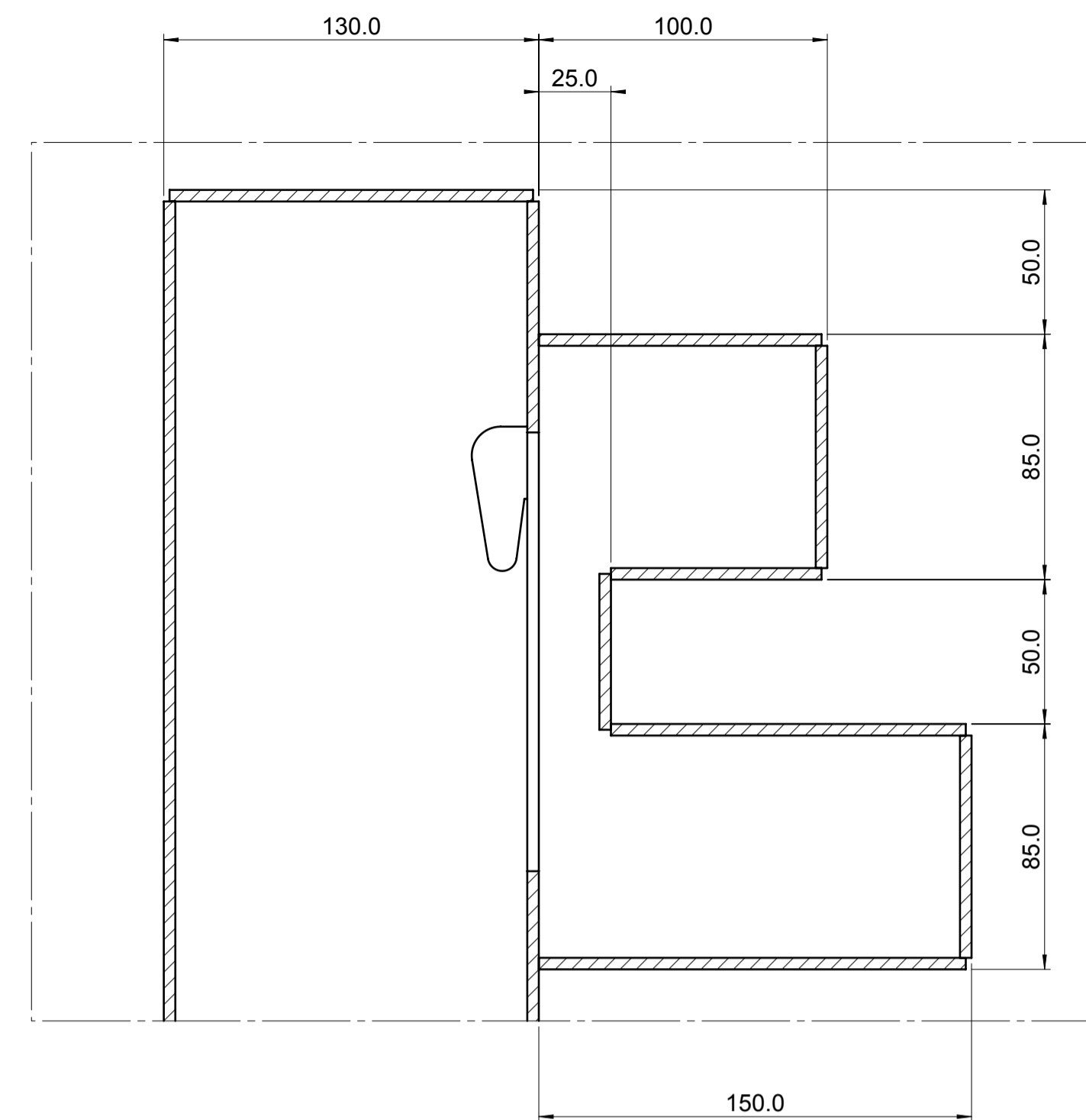


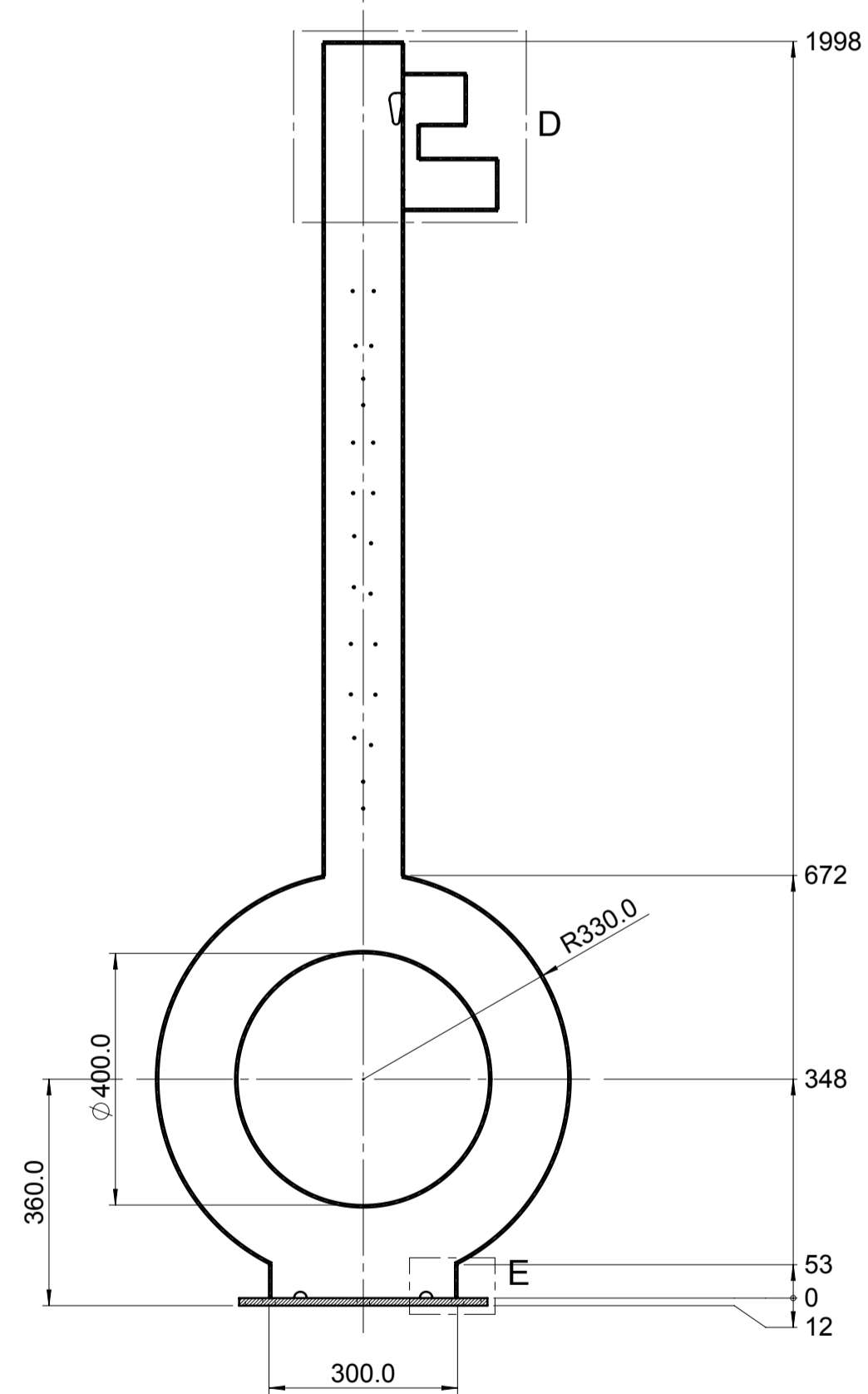
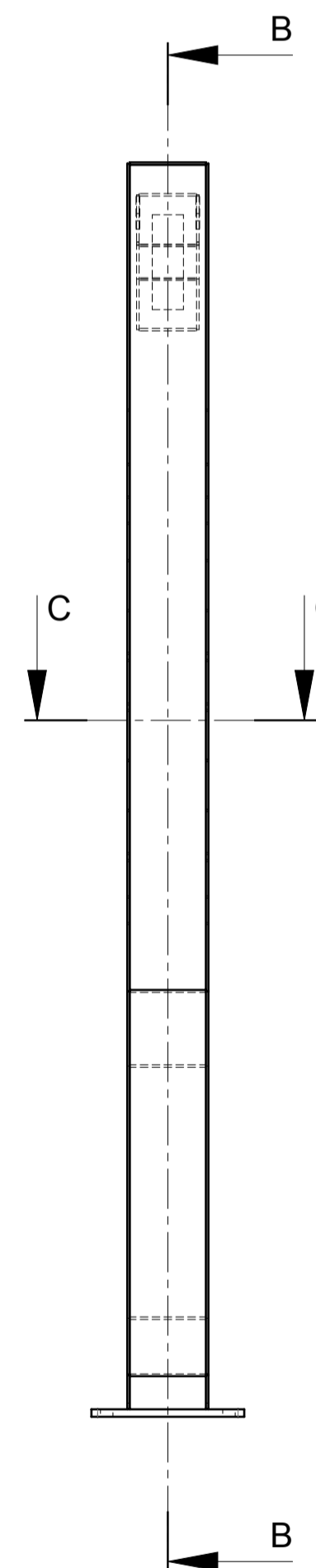
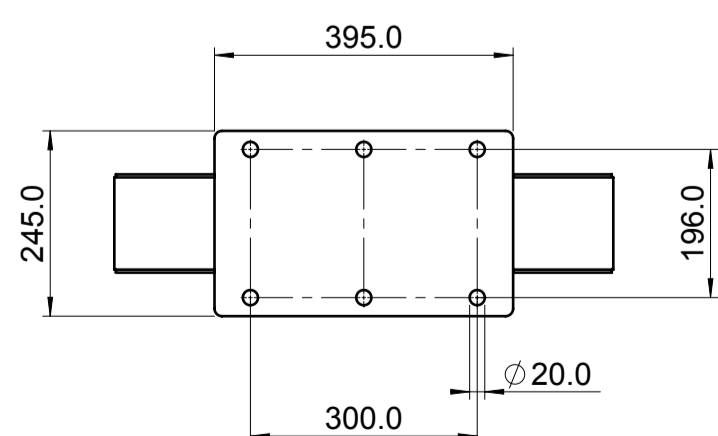
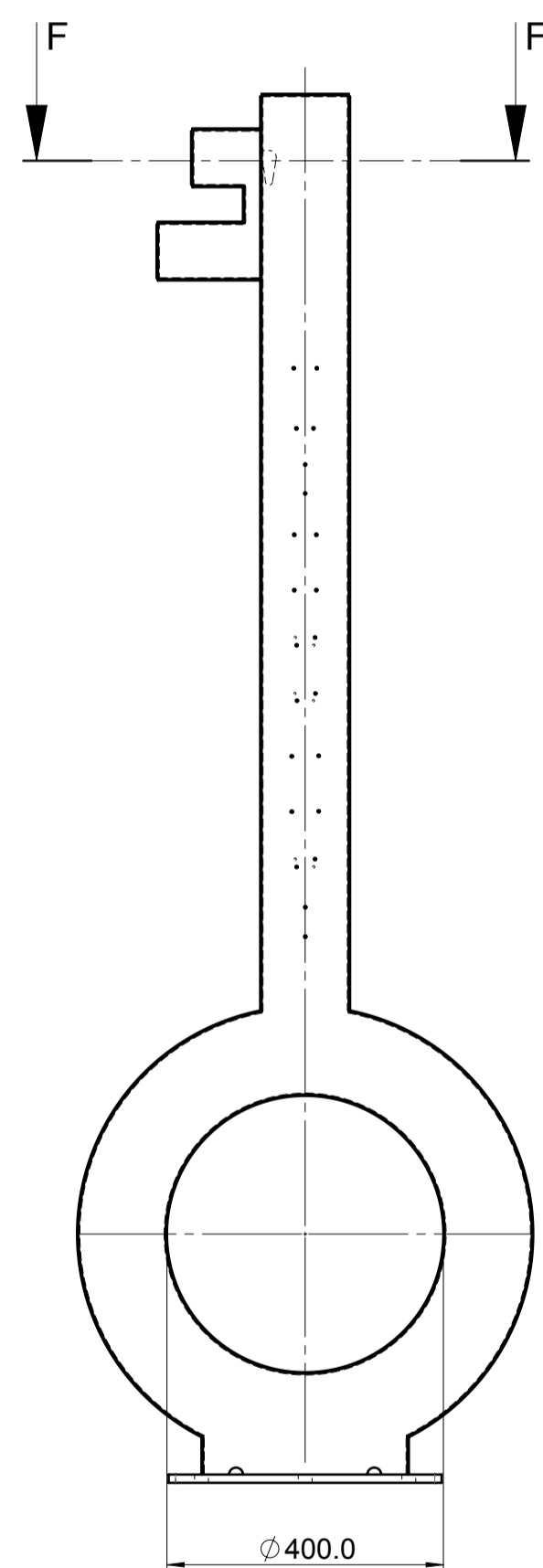
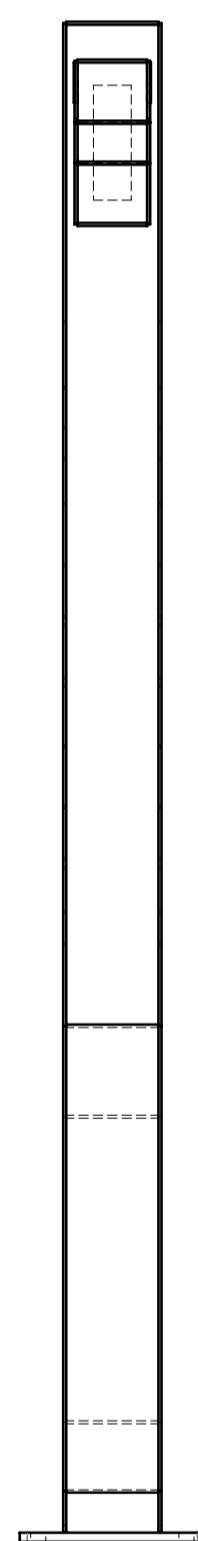
SECTION F-F
SCALE 1 : 2



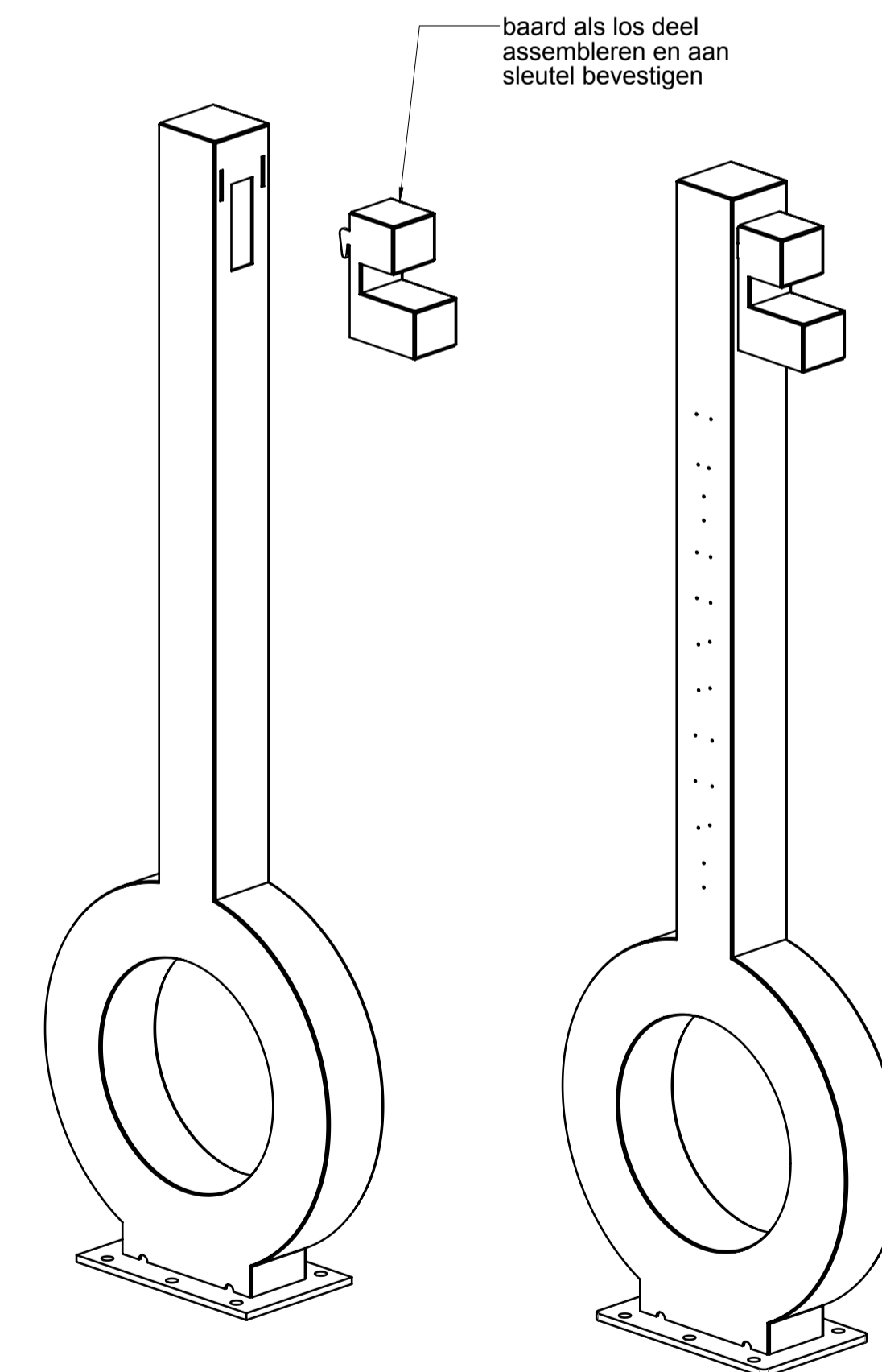
SECTION C-C
SCALE 1 : 2



DETAIL D
SCALE 1 : 2



SECTION B-B



totale massa ca. 65 kg.

BEM1504815
gemeente Steenberghe

Behoort bij beschikking	
d.d.	20-10-2015
nr.(s)	ZK15000926
Medewerker Publiekszaken/vergunningen	

Title:	frame Aanrijdsleutel	Drawn by:	
Subtitle:	Vrijetijdshuis Brabant	Revision:	0
Material:	Cortenstaal	Initials:	RV
Revision date:	7-12-2011 0:00:00	Print date:	31/11/2012
Remarks:	ontbrekende maten via CAD-file		
Drawing number:	2011-018-016-00	Customer number:	
Project number:	2011-018	Serial number:	
Copyright:	2011	Serial number:	00011015
Projection:	third angle projection	Serial number:	
Tolerances:	mm	Units:	mm
Dimension	± 0,5	Format:	A1
Angle	± 0,5°	Scale:	1:10
Roughness	x	do not scale drawing	ISO 9001 - VCA certified

BRUNS

WWW.BRUNS.NL
Brunns B.V. | Stoelaksweg 11 | 5571 TJ | BERGELUK | The Netherlands
Postbus 47 | 5570 AA | BERGELUK |
T +31 (0) 497 577 027 | F +31 (0) 497 555 650
E info@bruns.nl | W www.brunns.nl