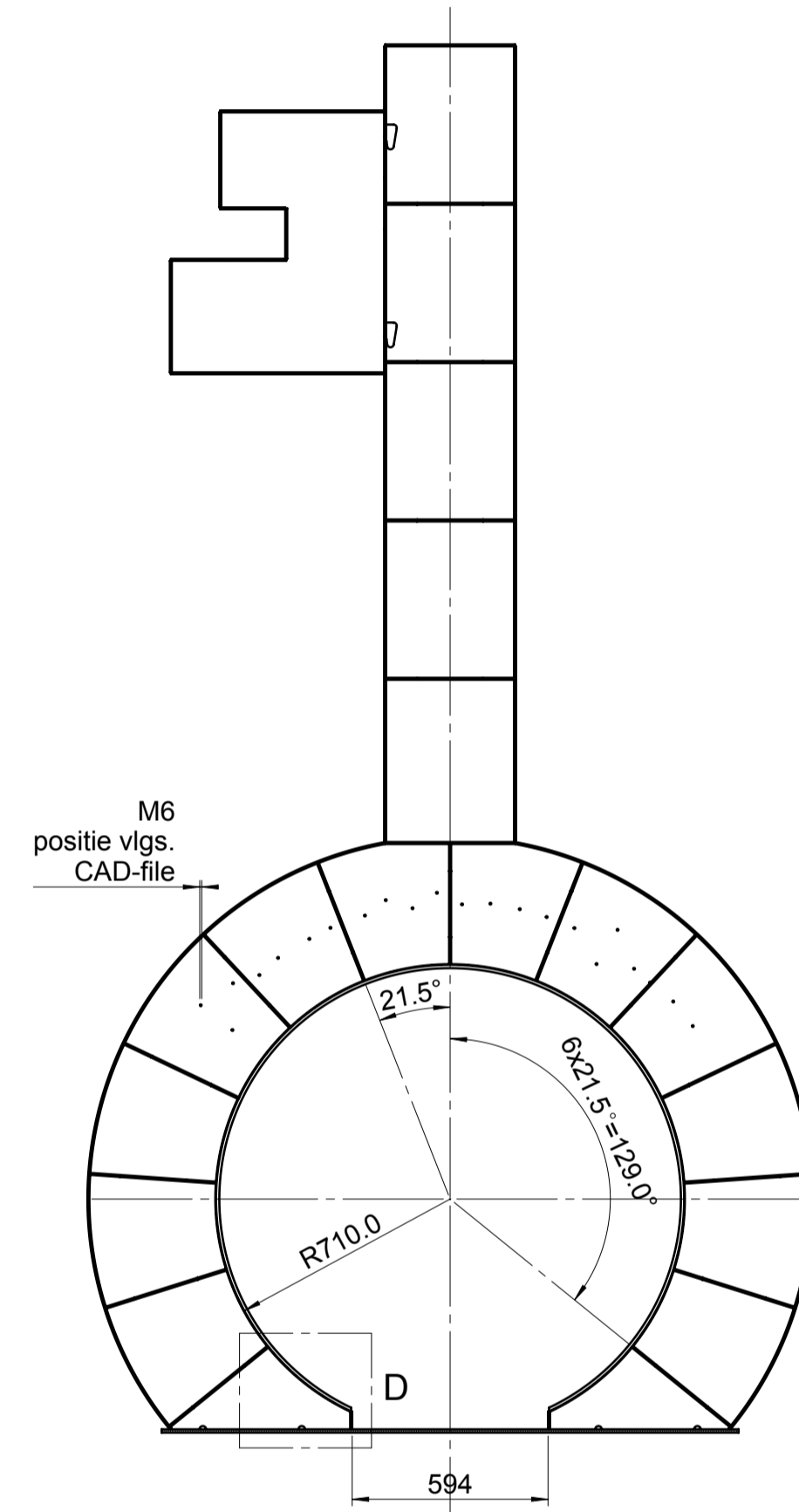
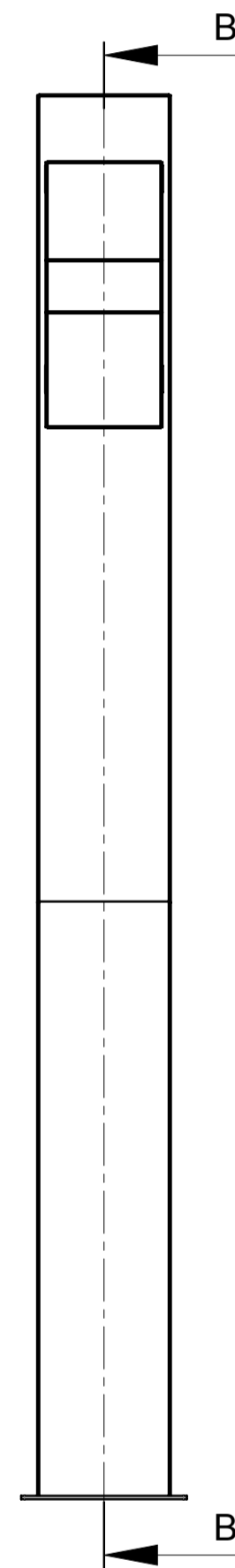
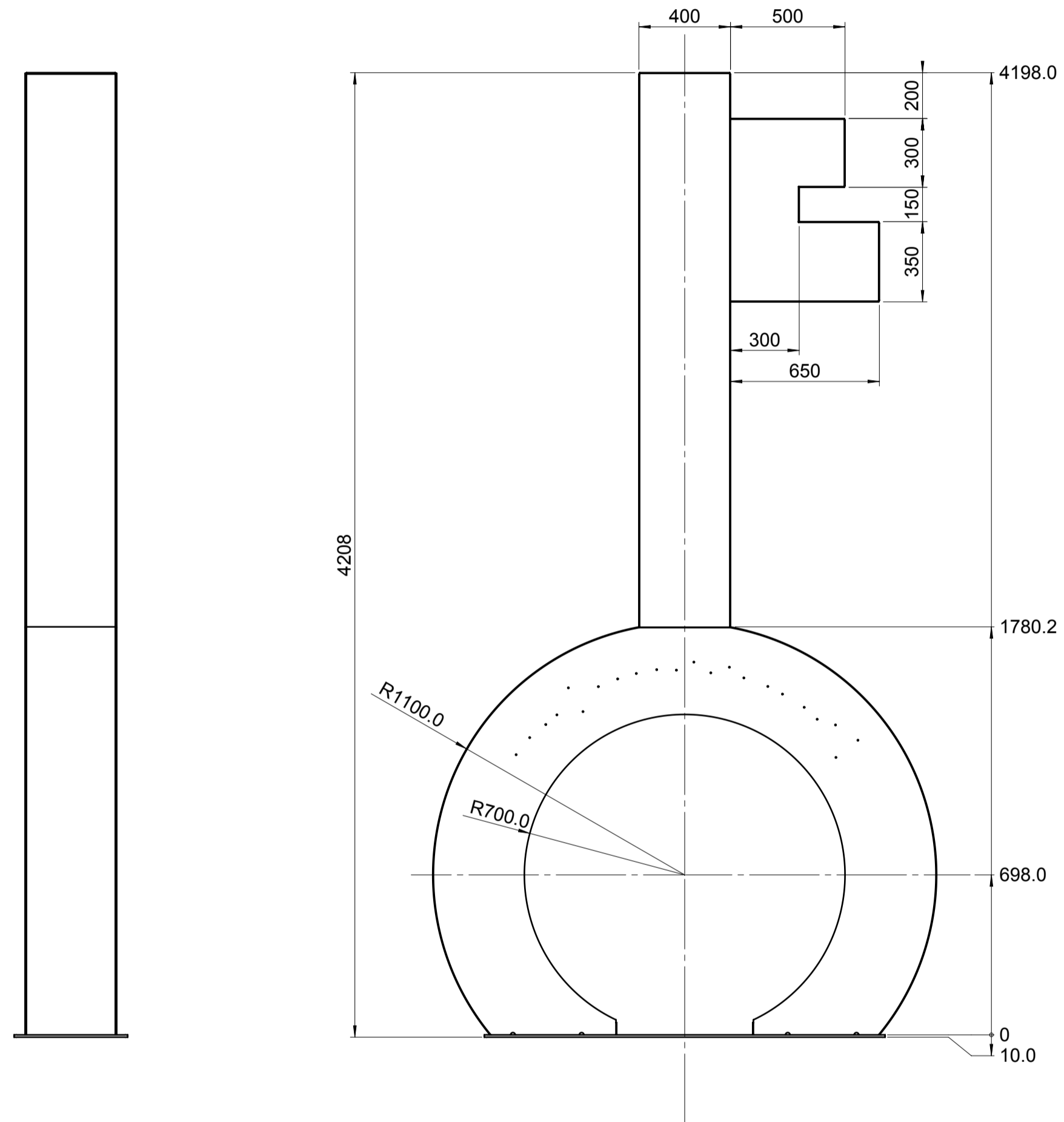
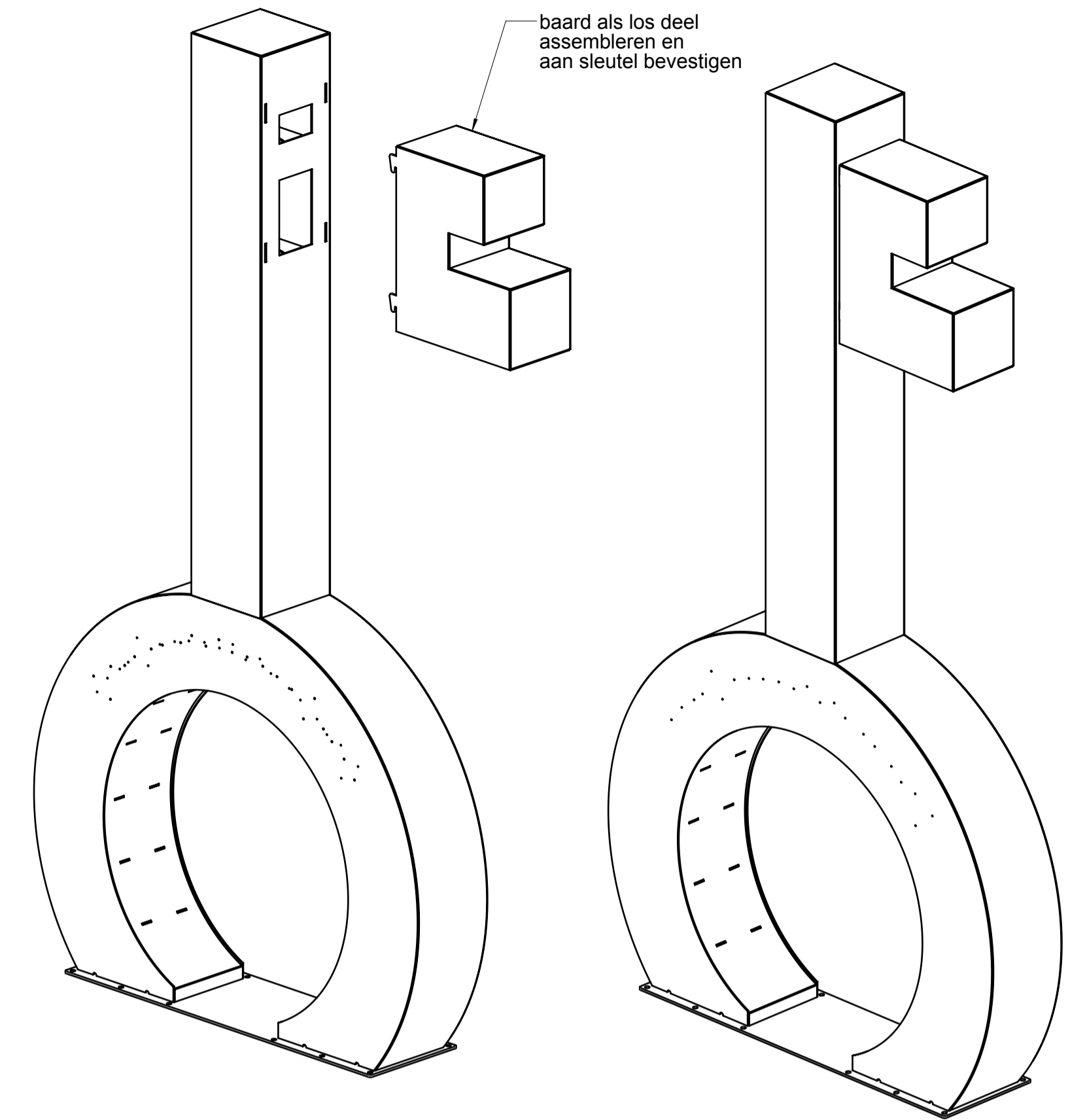
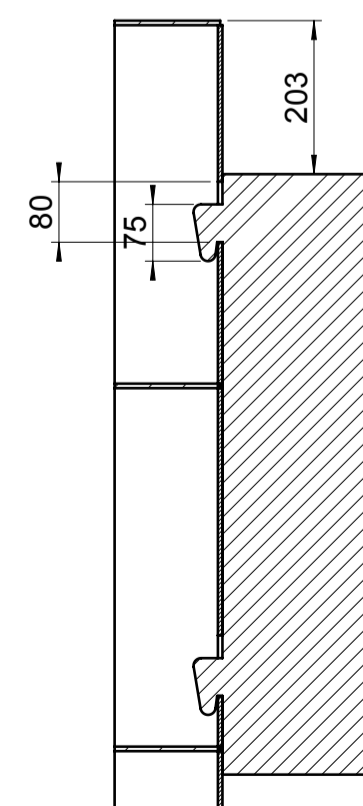


SECTION E-E
SCALE 1 : 1

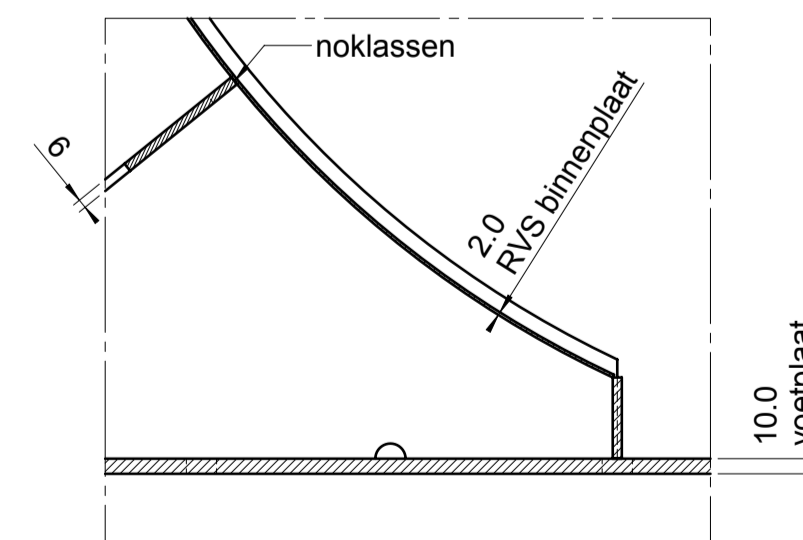
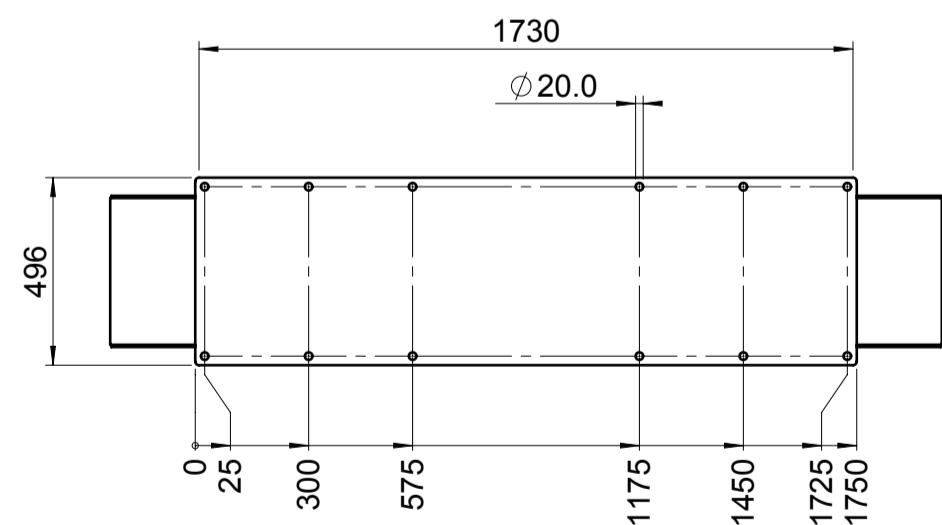


SECTION B-B

ophanging "baard" aan steel van de sleutel



SECTION C-C
SCALE 1 : 10



DETAIL D
SCALE 1 : 5

Behoort bij beschikking
d.d. 20-10-2015
nr.(s) ZK15000926
Medewerker
Publiekszaken/vergunningen

BEM1504808
gemeente Steenbergen

totale massa ca. 750 kg.

Title:	frame Landmark	Drawn by:	
Subtitle:	Vrijetijdshuis Brabant	Revision:	0
Material:	Cortenstaal en RVS 316	Initials:	RV
Revision date:	7/12/11	Print date:	31/1/2012
Remarks:	ontbrekende maten via CAD-file		
Drawing number:	2011-018-001-00	Customer number:	10.26696
Project number:	2011-018	Serial number:	
Copyright:	2011	Scale:	1:20
Projection:	third angle projection	Units:	mm
Tolerances:	± 0.5	Format:	A1
Dimension:	± 0.5*	Scale:	1:20
Angle:	± 0.5*	Scale:	1:20
Roughness:	x	do not scale drawing	ISO 9001 - VCA certified

BRUNS

BRUNS B.V. | Stolaksweg 11 | 5571 TJ | BERGELUK | The Netherlands
Postbus 47 | 5570 AA | BERGELUK |
T +31 (0) 497 577 027 | F +31 (0) 497 555 650
E info@bruns.nl | W www.brunsnl