

IB03W0005C

Figure 5-2 Clearance requirements (sliding rack shelf)

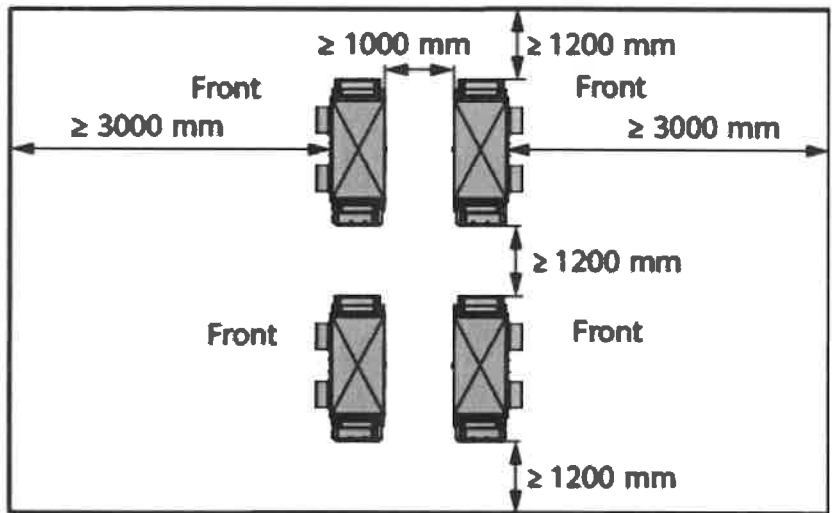
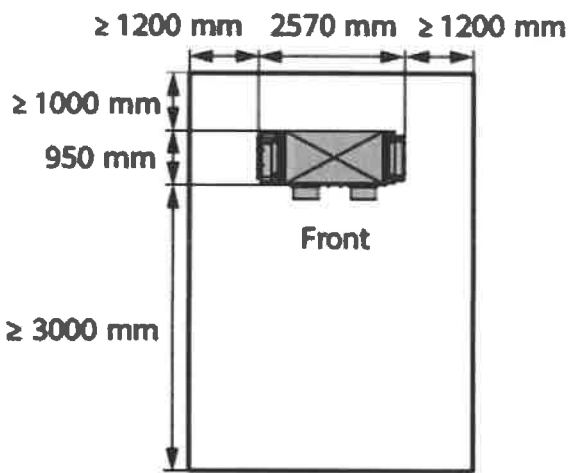
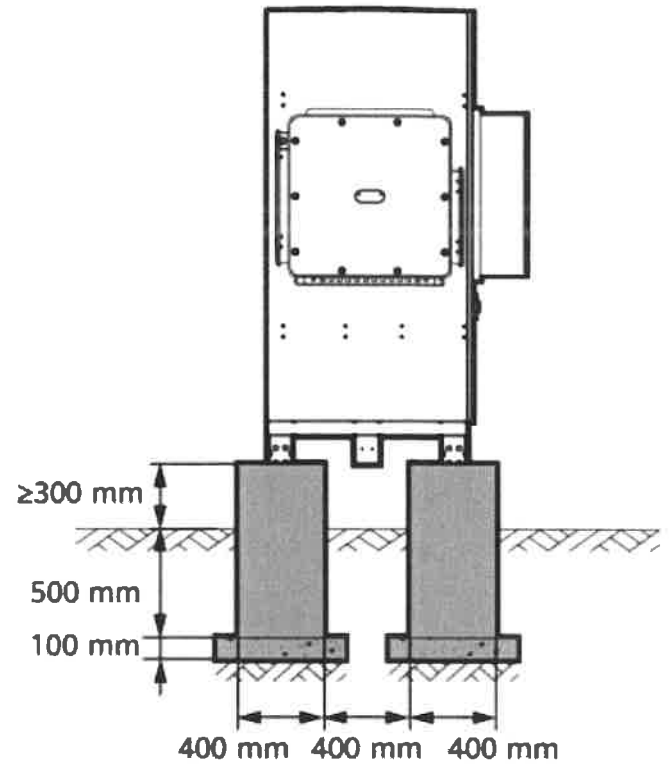
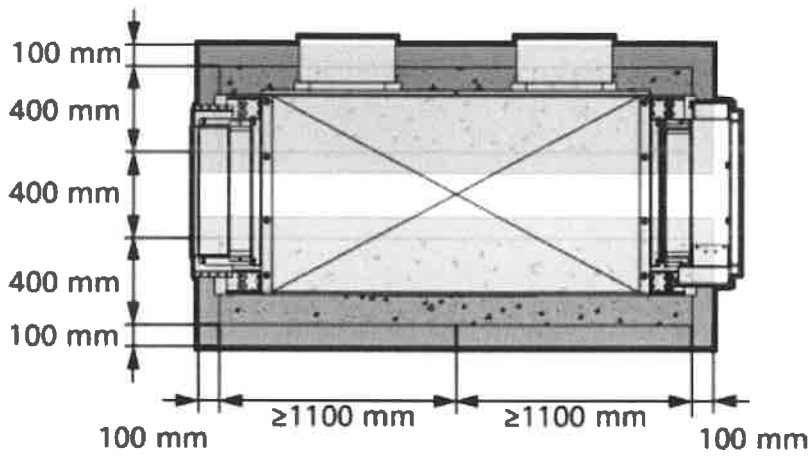


Figure 5-3 Foundation requirements (without the required ground bearing capacity)



1B03W00051