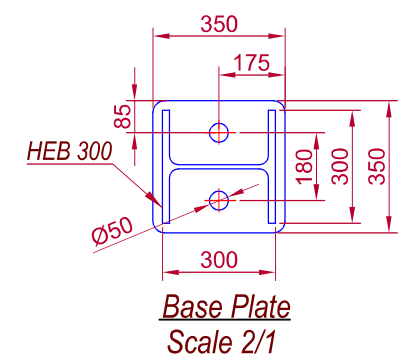
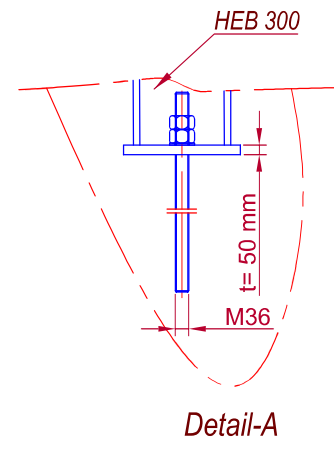
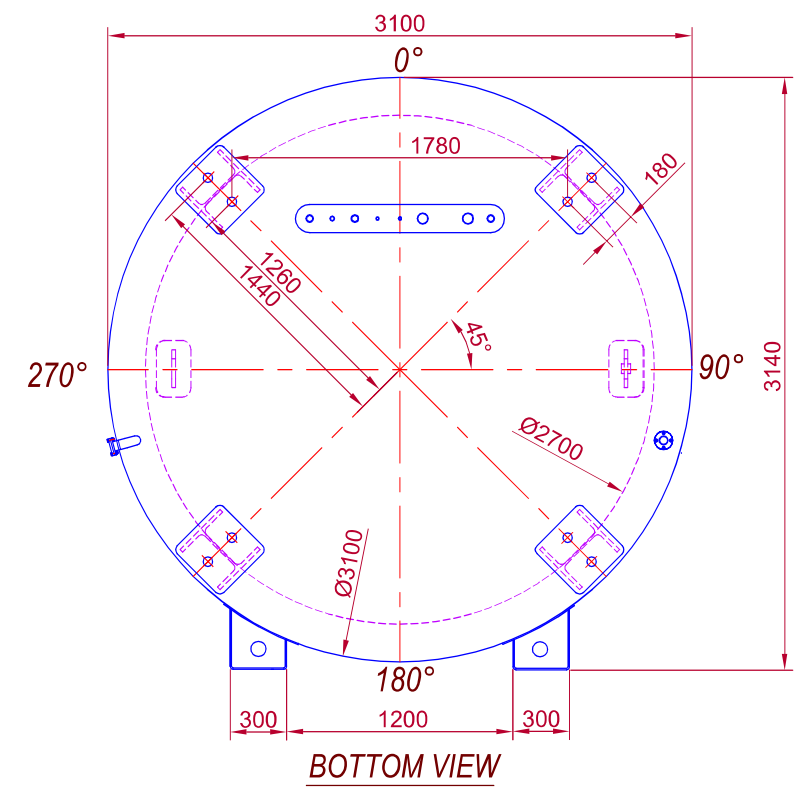
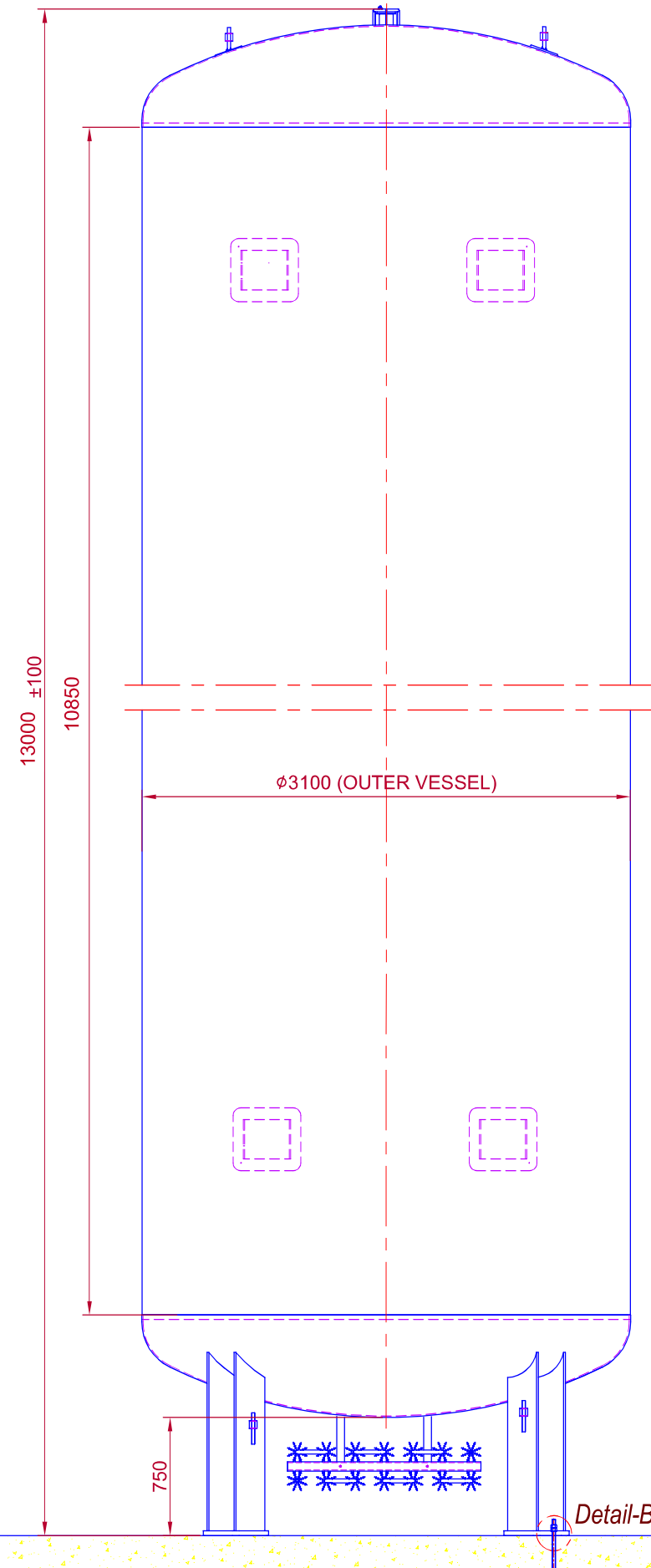


GENERAL DATA

Design regulations	2014/68/EU	
Design code	EN 13458-2	
Inspection	TBD	
Equipment No / Name	TBD	
Client Project	TBD	
Project No	TBD	
Order No	DOC0000XXXXXX	
DESIGN DATA		
	INNER VESSEL	OUTER VESSEL
Medium	LCO2 (density 1010 kg/m ³)	Perlite&Vacuum Insulation
Design pressure	24 barg	1 barg
Operating pressure	to 23 barg	-
MAWP	23 barg	-1 barg
Design temperature min/max.	-40 °C / +37 °C	-20 / +50 °C
Operating temperature	-40 °C	-
Test Type(Pneumatic or Hydro)	(P= 34,32 barg)	-
Water(GROSS) capacity	60000 liters	-
Net(%95) capacity	57000 liters	-
Capacity vacuum space	-	-
Joint efficiency	1	-
NDE Requirement	LW:%100 , T-JOINT:%100 , CW:%25	-
Impact Test	N/A	-
Lethal Substances	NO	-
Corrosion allowance	0,0 mm	0,0 mm
PWHT	None, not required no per code.	None, not required no per code.



KARBONSAN
BASINÇLI KAPLAR
SAN VE TİC. A.Ş.

TOPSELVI MAH. GÖL YOLU CAD.
NO:38/1 E BLOK 16800
ORHANGAZI / BURSA - TÜRKİYE
TEL : +90 224 573 16 35
FAX : +90 224 573 16 40
WEB : www.karbonsan.com.tr

EKİPMAN TÜRÜ (Type of Equipment)	VERTICAL STORAGE VESSEL		
DİZAYN KODU (Design Code)	EN13458-2	 0408	
İMALAT SERİ NO (Manufacturer's Serial No)	K2019/—		
İMALAT YILI (Year of Manufacture)	2019		
MAX. ÇALIŞMA BASINCI (MAWP) (PS)	23 Bar		İÇ TANK (Inner Tank)
DİZAYN BASINCI (Design Pressure)	24 Bar	-1 Bar	Bar
TEST BASINCI (Test Pressure)	34,32 Bar	2 Bar	Bar
DİZAYN SICAKLIĞI (Design Temperature)	-40 / +37 °C	-20 / +50 °C	°C
BRÜT HACİM (Gross Volume)	60000 Lt.	Lt.	Lt.
MALZEME (Material)			
MALZEME STANDARDI (Material Standard)			
EMNİYET BASINCI (Safety Set Pressure)			Bar
HİD. TEST TARİHİ (Hydrostatic Test Date)		KONTROL (Inspected By)	TUV AUSTRIA
SIZDIRMAZLIK TESTİ (Final Leak Test Date)			
LİKİD ADI (Liquid Name)	LCO2		
BOŞ AĞIRLIK (Empty Weight)	23 000 kg.	MADE IN TURKEY	

İm: 03/01 Rev1 - 12.01.2016

NAME PLATE

⚠					
Rev.	Description	Date	Design	Control	Approv

								Kg.
Pos	NR OF	Name	Drawing No	Material	Comment	Weight		
		Name	Sign.	Date			Paper	
		Design					A3	
		Control						
		Approv.						
		Subject:				Drawing No	K190485	
		60 m3 CRY.LCO2 VERTICAL VESSEL GENERAL ARRENGEMENT				Date	05.07.2019	
						Revision	0	

KARBONSAN
ILIPINAR MEVKİİ NO:34
16800 ORHANGAZI / BURSA - TÜRKİYE
TEL : +90 224 573 16 35
FAX : +90 224 573 16 40
WEB : www.karbonsan.com.tr
e-mail : info@karbonsan.com.tr