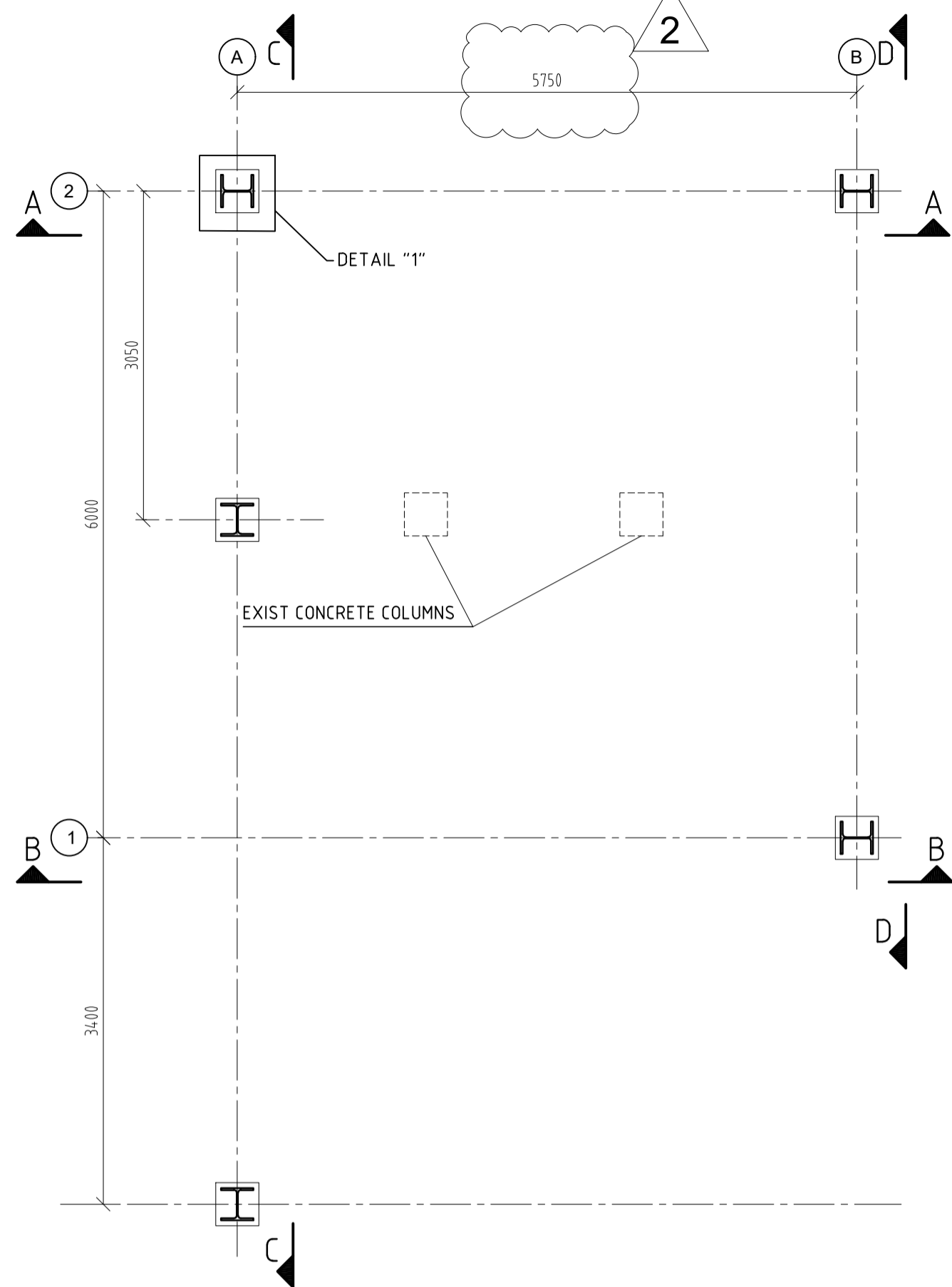


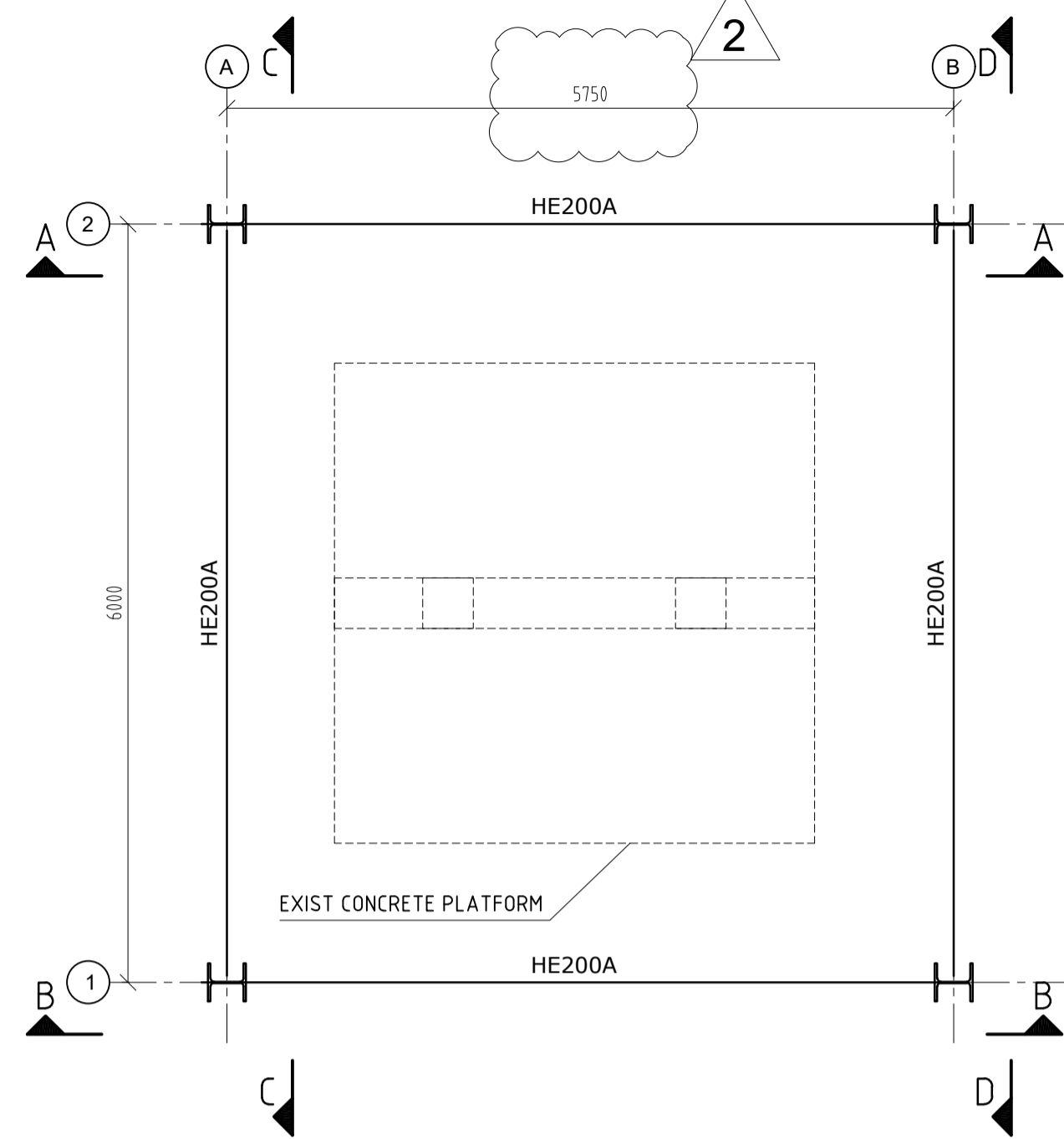
FRAMING PLAN - BASEPLATES

SCALE 1:50



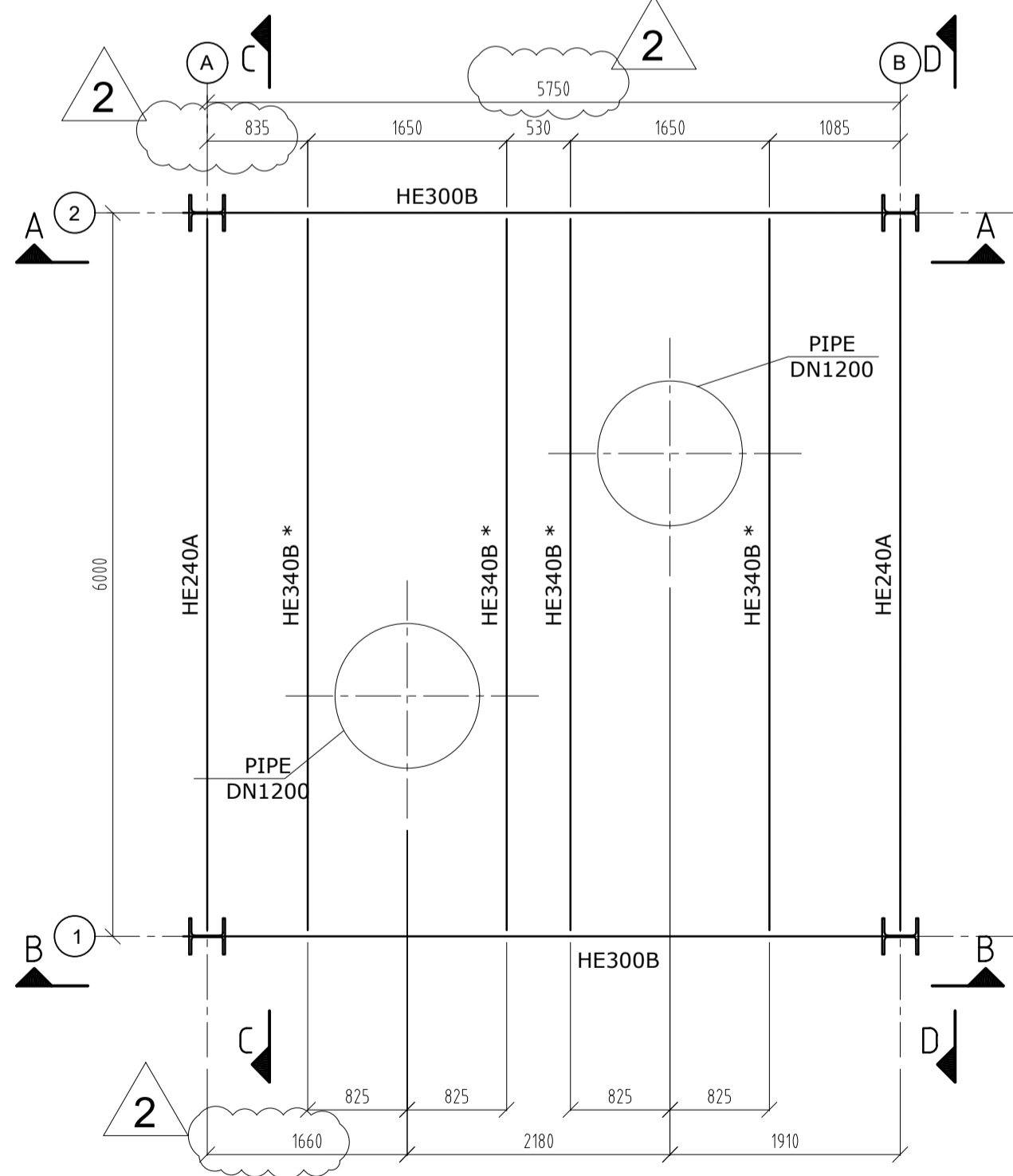
FRAMING PLAN - TOS +5.300m

SCALE 1:50



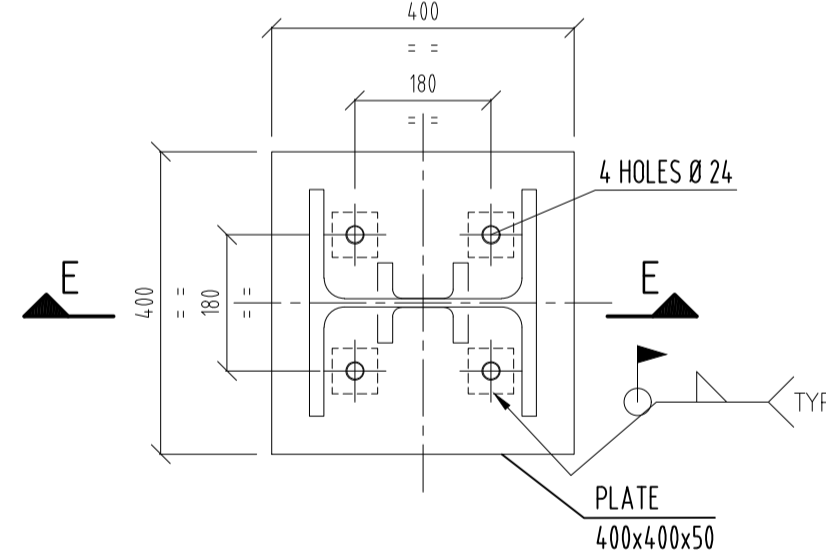
FRAMING PLAN - TOS +10.300m

SCALE 1:50



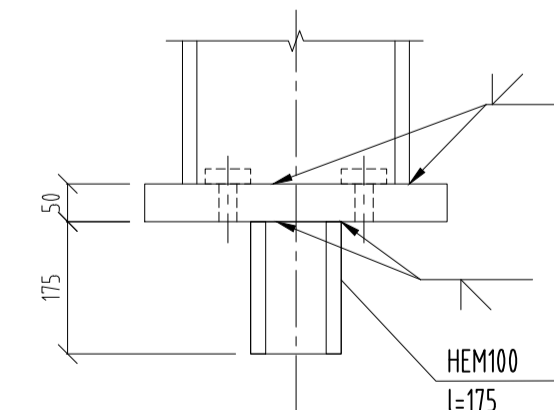
DETAIL "1"

SCALE 1:10

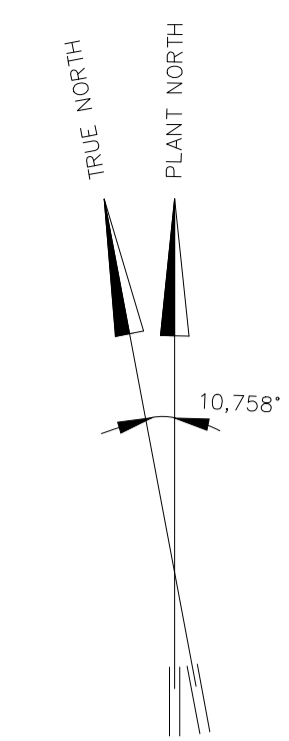
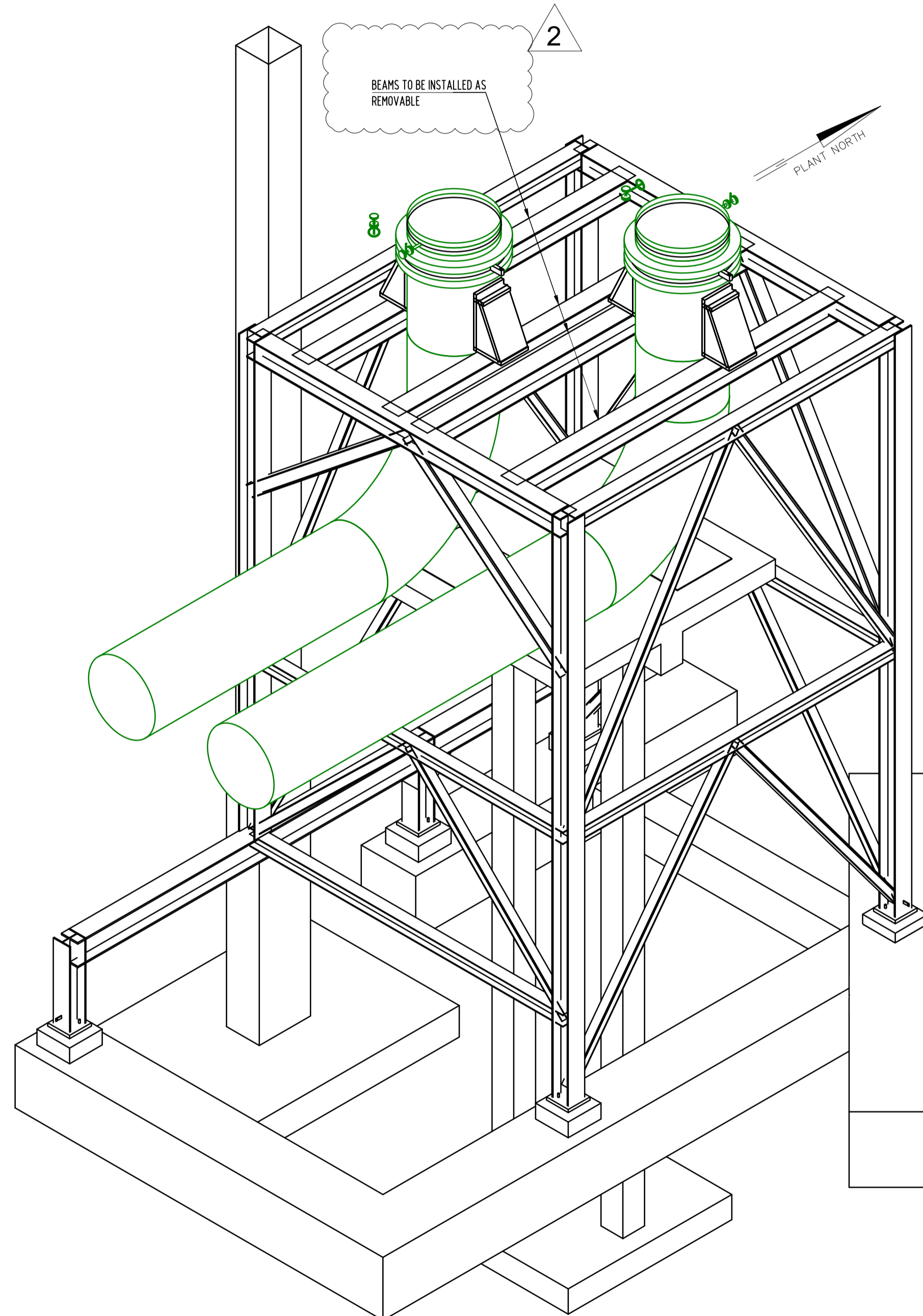


SECTION E-E

SCALE 1:10



ISOMETRIC VIEW

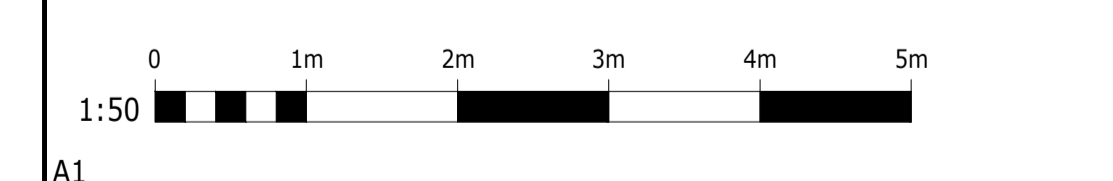
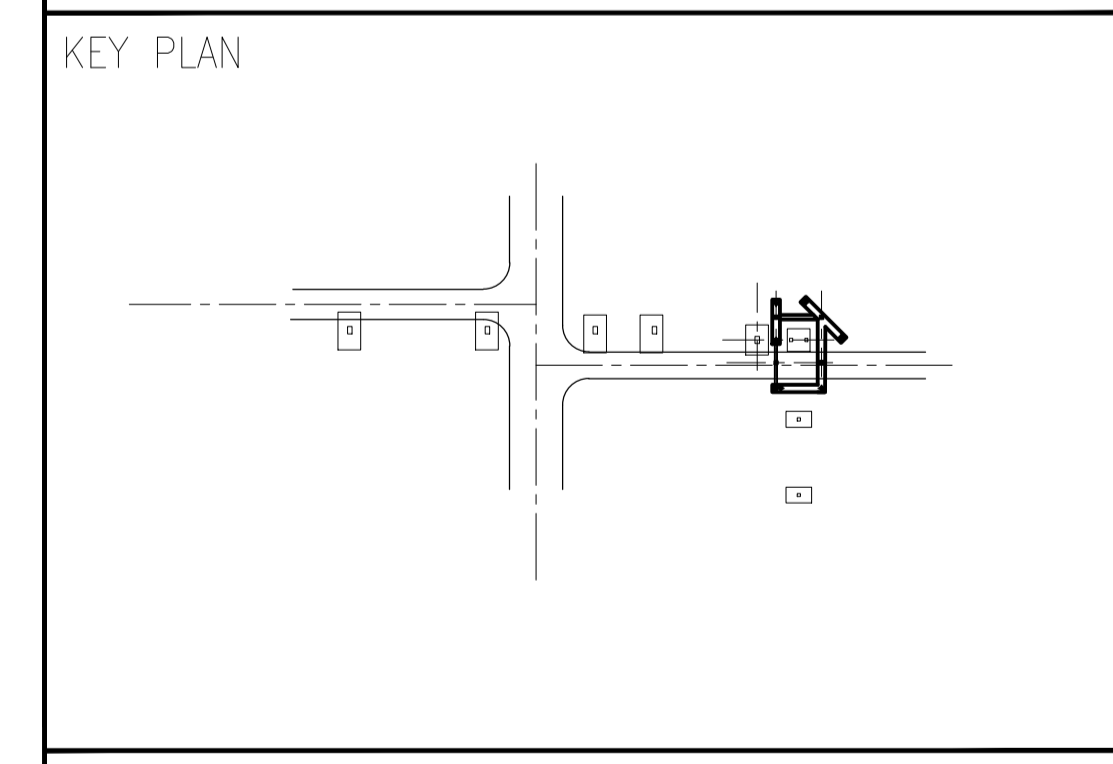


- NOTES:
- 1) LOCALIZATION OF STRUCTURE - SEE DRAWING NO 00A8TE-215-GAD-001
 - 2) BOS - BOTTOM OF STEEL
TOS - TOP OF STEEL
 - 3) EXECUTION CLASS: EXC3
 - 4) MATERIAL OF STRUCTURE STEEL - S235JR
 - 5) FOR SECTIONS 1-1 TO 4-4 - SEE DWG NO 00A8TE-215-DTL-004
 - 6) PRESERVATION ACCORDING:
 - EN ISO 12944
 - KLASSE C5-(A5M.02 SITECH STANDARD EP 7-3.1)
 - RAL7043

HOLDS:

* BEAMS TO BE INSTALLED AS REMOVABLE

sitech
services
VOOR
BOUWAANVRAAG
07-12-2022
MAINE
off-gas tie-in



REV	DATE	REVISION DESCRIPTION	BY	CHK	APPV	REV	DATE	REVISION DESCRIPTION	BY	CHK	APPV	REFERENCE DWG NUMBER	REFERENCE DRAWINGS
0	13-06-22	ISSUED FOR CLIENT REVIEW	DF	TJ	KL								
1	31-10-22	ISSUED FOR CLIENT REVIEW	MV	KL	KL								
2	10-11-22	ISSUED FOR CONSTRUCTION	NH	KL	KL								

FLUOR

NOTICE: THIS DRAWING HAS NOT BEEN PUBLISHED AND IS THE SOLE PROPERTY OF FLUOR AND IS LENT TO THE BORROWER FOR THEIR CONFIDENTIAL USE ONLY, AND IN CONSIDERATION OF THE LOAN OF THIS DRAWING, THE BORROWER PROMISES AND AGREES TO RETURN IT UPON REQUEST AND AGREES THAT IT WILL NOT BE REPRODUCED, COPIED, LENT OR OTHERWISE DISPOSED OF DIRECTLY OR INDIRECTLY, NOR USED FOR ANY PURPOSE OTHER THAN THAT FOR WHICH IT IS FURNISHED.

CONTRACT	ABTE
DESIGNED BY	
CHECKED BY	
SUPERVISOR	
LEAD ENGR/SPEC.	
FLUOR	
CLIENT	

OFF-GAS LINES TIE-IN STRUCTURE
STRUCTURAL STEEL - PLAN VIEWS

AnCore

SCALE 1:50 DRAWING NUMBER 00A8TE-215-DTL-003 REV 2

CAD FILE NAME .DWG