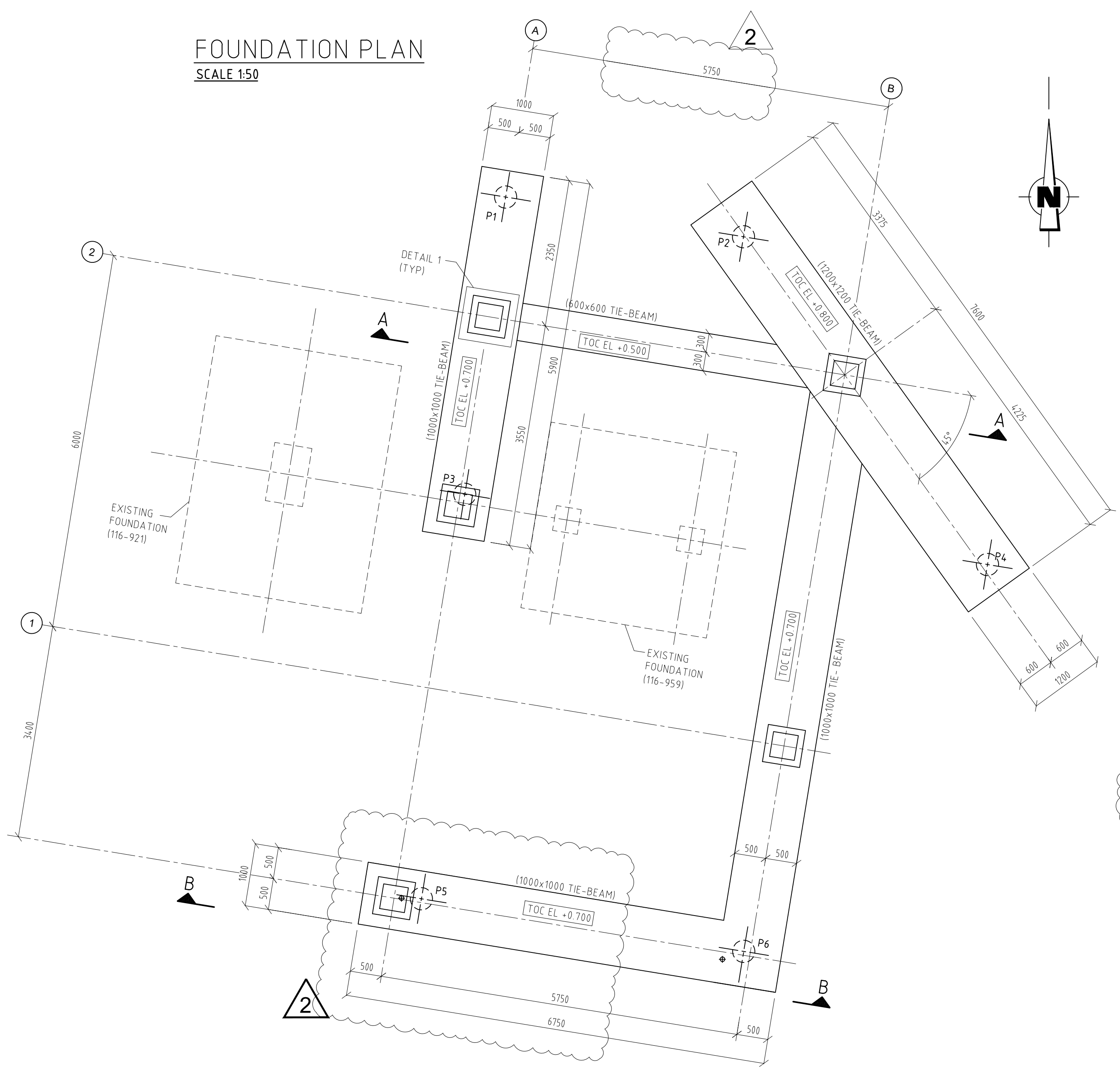


FOUNDATION PLAN
SCALE 1:50



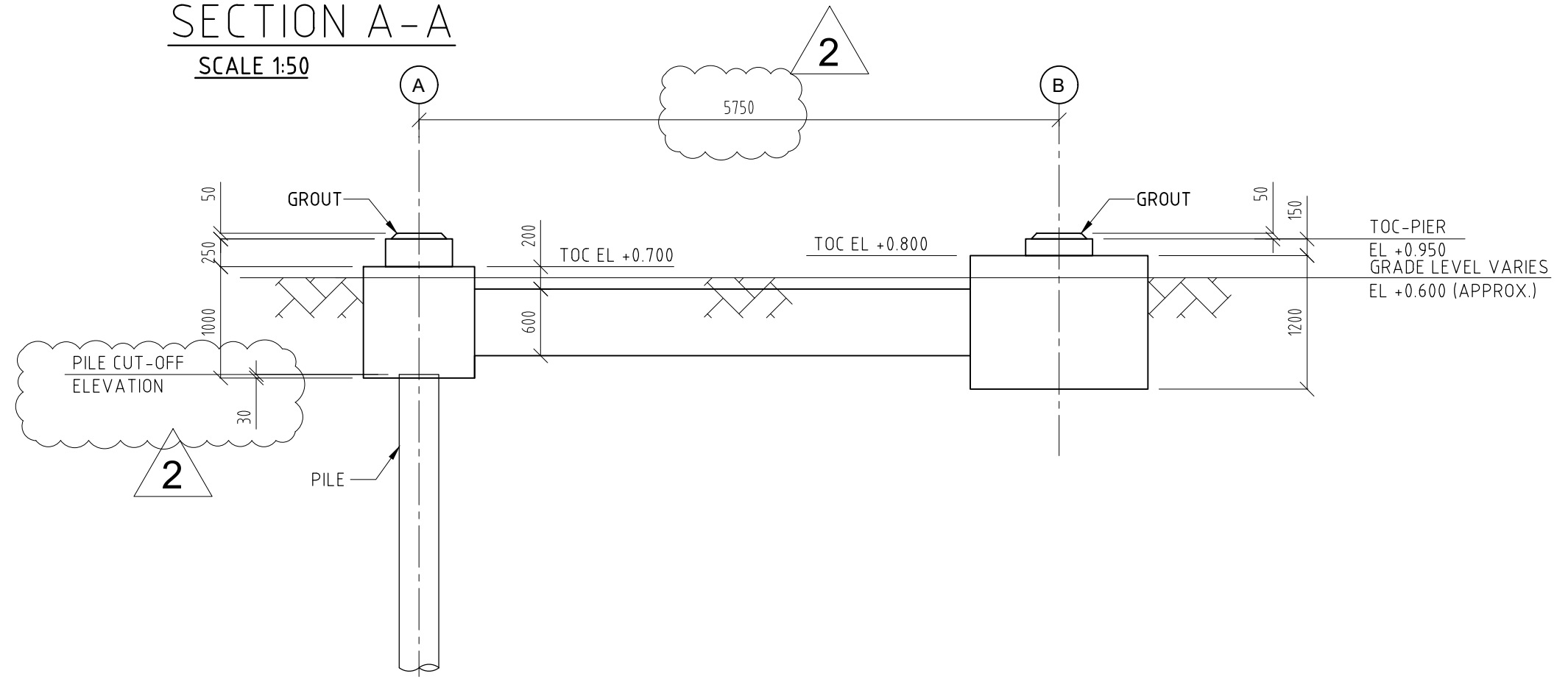
PILE SCHEDULE

PILE NUMBER	PILE TYPE	X COORDINATE (m)	Y COORDINATE (m)	PILE CUT-OFF ELEVATION (m)	PILE TIP ELEVATION (m)	PILE DESIGN TRANSVERSE Rtr : d (kN)	PILE DESIGN COMPRESSIVE Rc : d (kN)	PILE DESIGN TENSILE Rtr : d (kN)	PILE DESIGN HEAD MOMENT Rm : d (kNm)
P1	TYPE 1			-0.270	-9.50	65	750	85	65
P2	TYPE 1			-0.370	-9.50	65	750	85	65
P3	TYPE 1			-0.270	-9.50	65	750	85	65
P4	TYPE 1			-0.370	-9.50	65	750	85	65
P5	TYPE 1			-0.270	-9.50	65	750	85	65
P6	TYPE 1			-0.270	-9.50	65	750	85	65

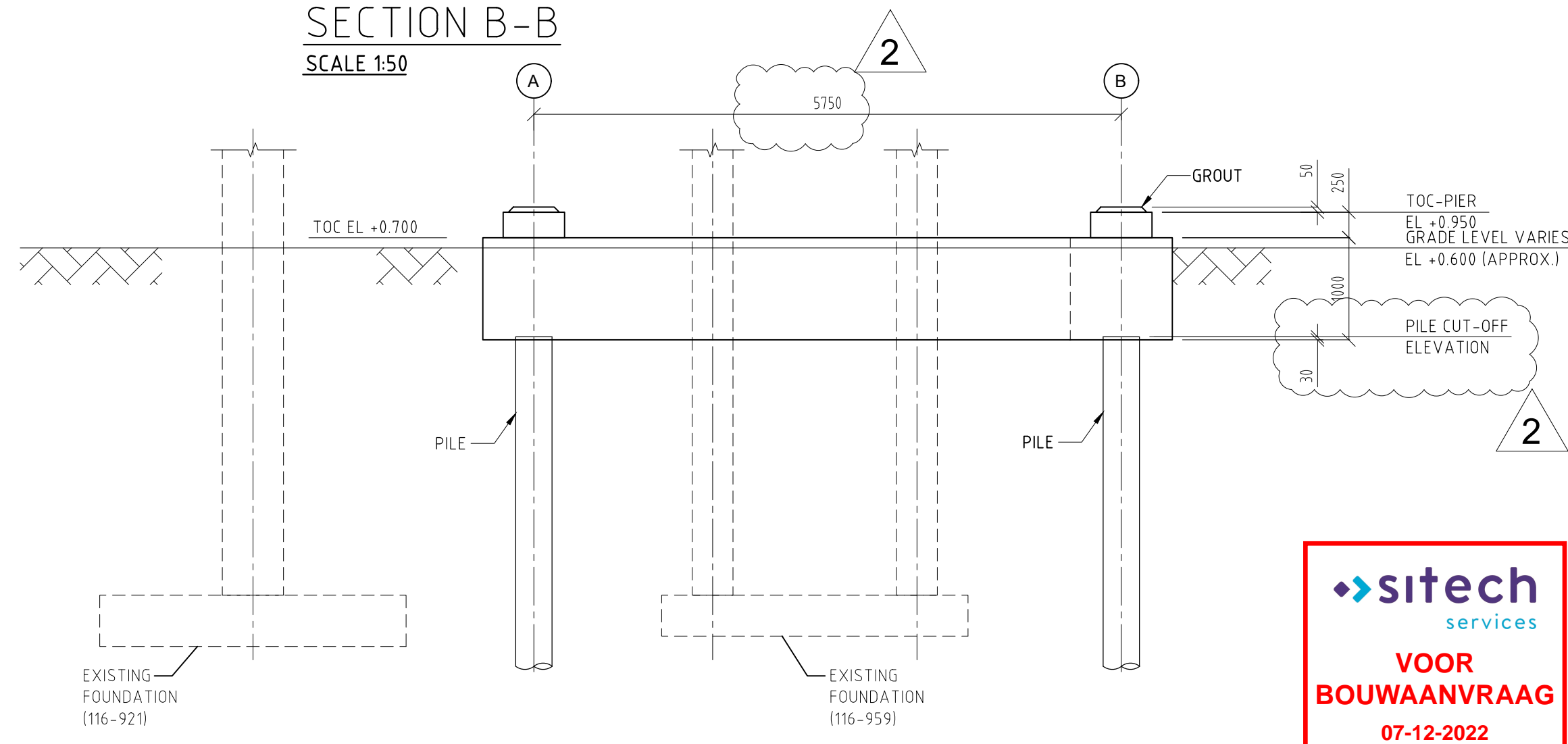
TYPE 1: CD (met Gil)-palen - Ø355/560 mm

- NOTES:**
- 1) LOCALIZATION OF STRUCTURE - SEE DRAWING NO 00A8TE-215-GAD-001
 - 2) BOC - BOTTOM OF CONCRETE
TOC - TOP OF CONCRETE
 - 3) FOR FOUNDATION REINFORCEMENTS - SEE DWG NO 00A8TE-215-GAD-002
 - 4) ALL LEVELS REFER TO 0.000=+61.50 M NAP
 - 5) ENGINEER ("CONSTRUCTEUR") SHALL BE INFORMED ABOUT PILE DISPLACEMENTS >5CM
 - 6) PILE DOWELS TO BE WELDED AFTER PILE CUT-OFF AS PER PILE DETAIL DESIGN BY CONTRACTOR
 - 7) WORK SHALL BE EXECUTED ACCORDING TO CROW 400(BODEMKWALITEITZONE A2:CYANIDE TOTAAL)
 - 8) EXCAVATION SHALL BE REGISTERED IN THE BOSANIS SYSTEM
 - 9) WORK PERMIT SHALL BE REQUESTED FROM OWNER. (COMBINED PERMIT ANQORE/OBL) ANY PERMIT REQUIREMENTS SHALL BE FOLLOWED
 - 10) IN CASE UNDERGROUND OBSTACLES ARE ENCOUNTERED, EXCAVATION SHALL BE STOPPED AND OWNER SHALL BE CONTACTED FOR RESOLUTION.

SECTION A-A
SCALE 1:50



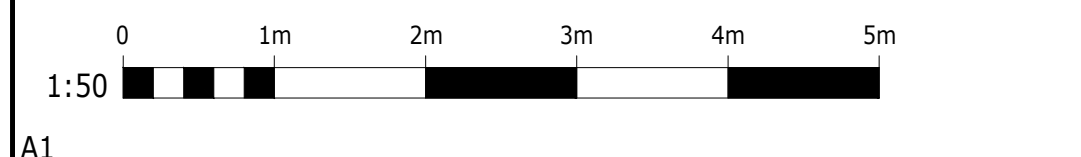
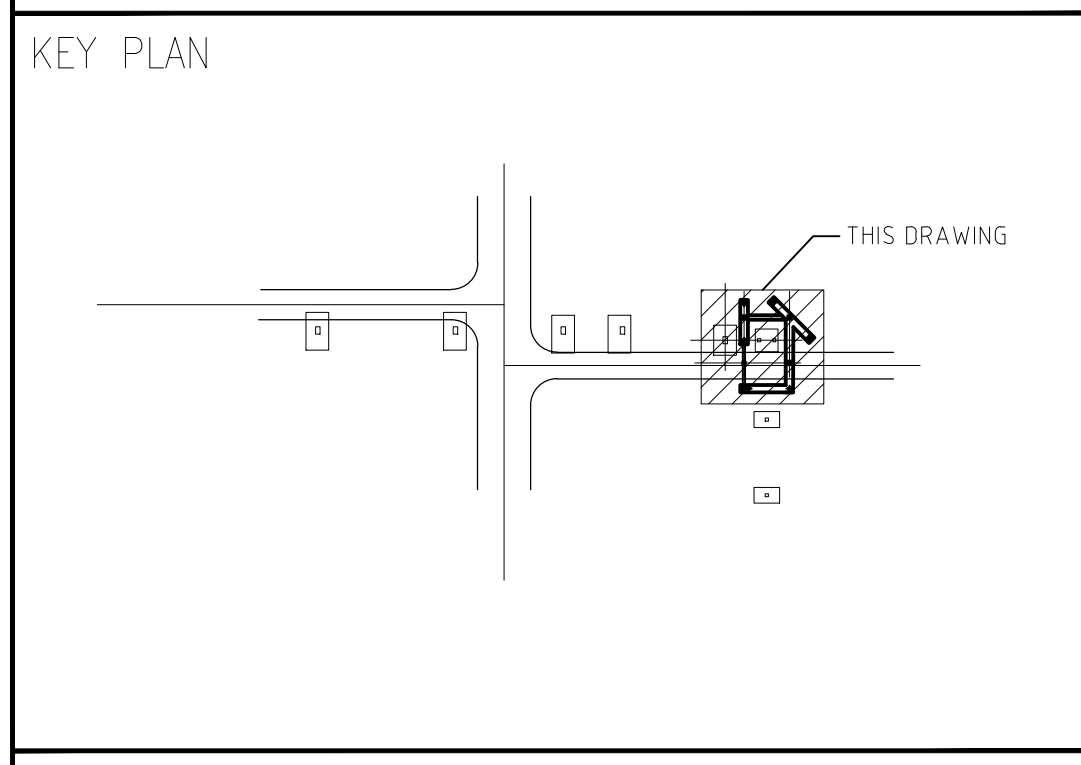
SECTION B-B
SCALE 1:50



HOLDS:

Foundation	
MATERIAL OF CONCRETE: C30/37	MATERIAL OF REINFORCEMENT: B 500B
ENVIRONMENTAL CLASS: XC4, XF1, XD2, XS1	
Concrete cover:	
bottom:	50mm
top:	50mm
side:	50mm

Piles	
MATERIAL OF CONCRETE: C30/37	MATERIAL OF REINFORCEMENT: B 500B
ENVIRONMENTAL CLASS: XC2	
Concrete cover:	
bottom:	N/A
top:	N/A
side:	N/A



FLUOR

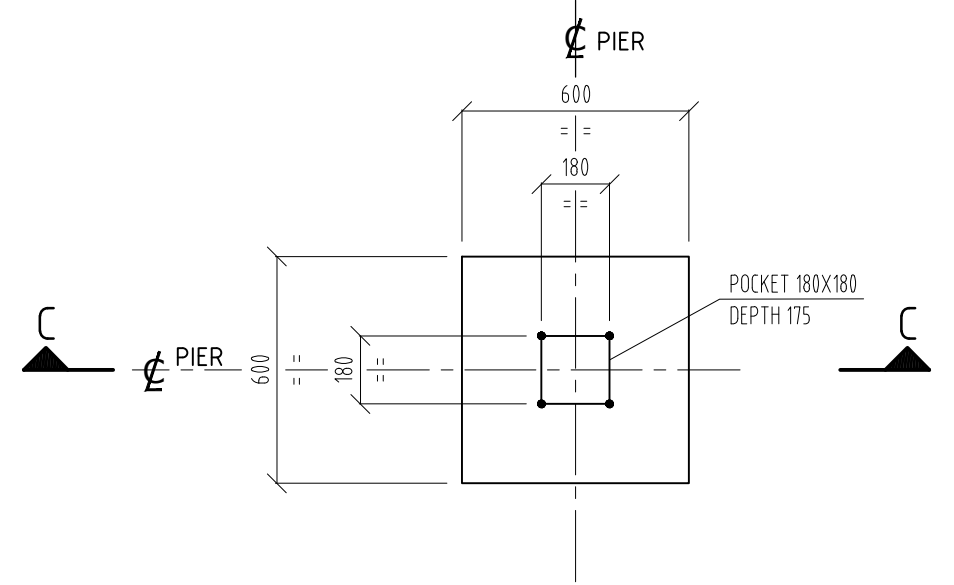
CONTRACT ABTE
DESIGNED BY
CHECKED BY
SUPERVISOR
LEAD ENGR/SPEC.
FLUOR
CLIENT

OFF-GAS LINES TIE-IN STRUCTURE FOUNDATION PLAN AND SECTION

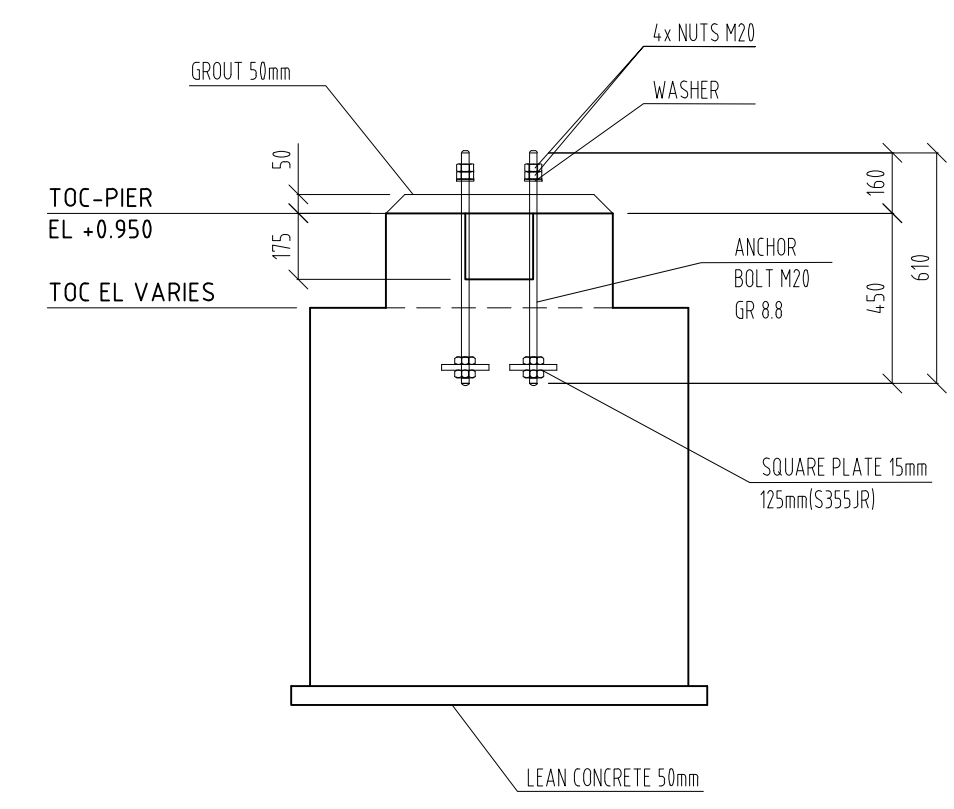
SCALE 1:50 DRAWING NUMBER 00A8TE-215-GAD-001 REV 2

CAD FILE NAME .DWG

DETAIL 1
SCALE 1:20



SECTION C-C
SCALE 1:20



REV	DATE	REVISION DESCRIPTION	BY	CHK	APPV	REV	DATE	REVISION DESCRIPTION	BY	CHK	APPV	REFERENCE DWG NUMBER	REFERENCE DRAWINGS
0	13-06-22	ISSUED FOR CLIENT REVIEW	DF	TJ	KL								
1	31-10-22	ISSUED FOR CLIENT REVIEW	MV	KL	KL								
2	10-11-22	ISSUED FOR CONSTRUCTION	NH	KL	KL								

FLUOR

NOTICE: THIS DRAWING HAS NOT BEEN PUBLISHED AND IS THE SOLE PROPERTY OF FLUOR AND IS LENT TO THE BORROWER FOR THEIR CONFIDENTIAL USE ONLY, AND IN CONSIDERATION OF THE LOAN OF THIS DRAWING, THE BORROWER PROMISES AND AGREES TO RETURN IT UPON REQUEST AND AGREES THAT IT WILL NOT BE REPRODUCED, COPIED, LENT OR OTHERWISE DISPOSED OF DIRECTLY OR INDIRECTLY, NOR USED FOR ANY PURPOSE OTHER THAN THAT FOR WHICH IT IS FURNISHED.

sitech services

VOOR BOUWAANVRAAG
07-12-2022

MAINE off-gas tie-in