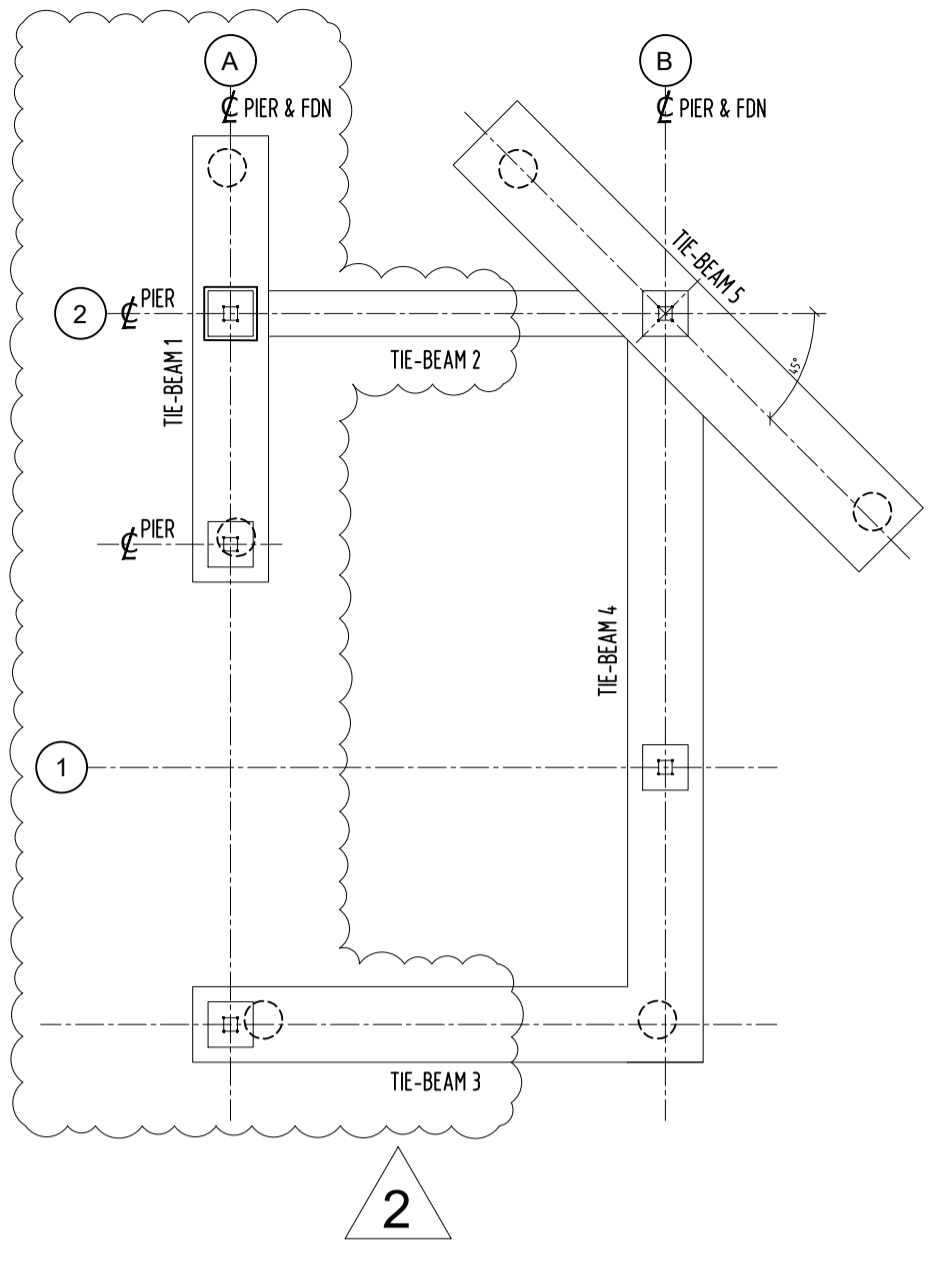


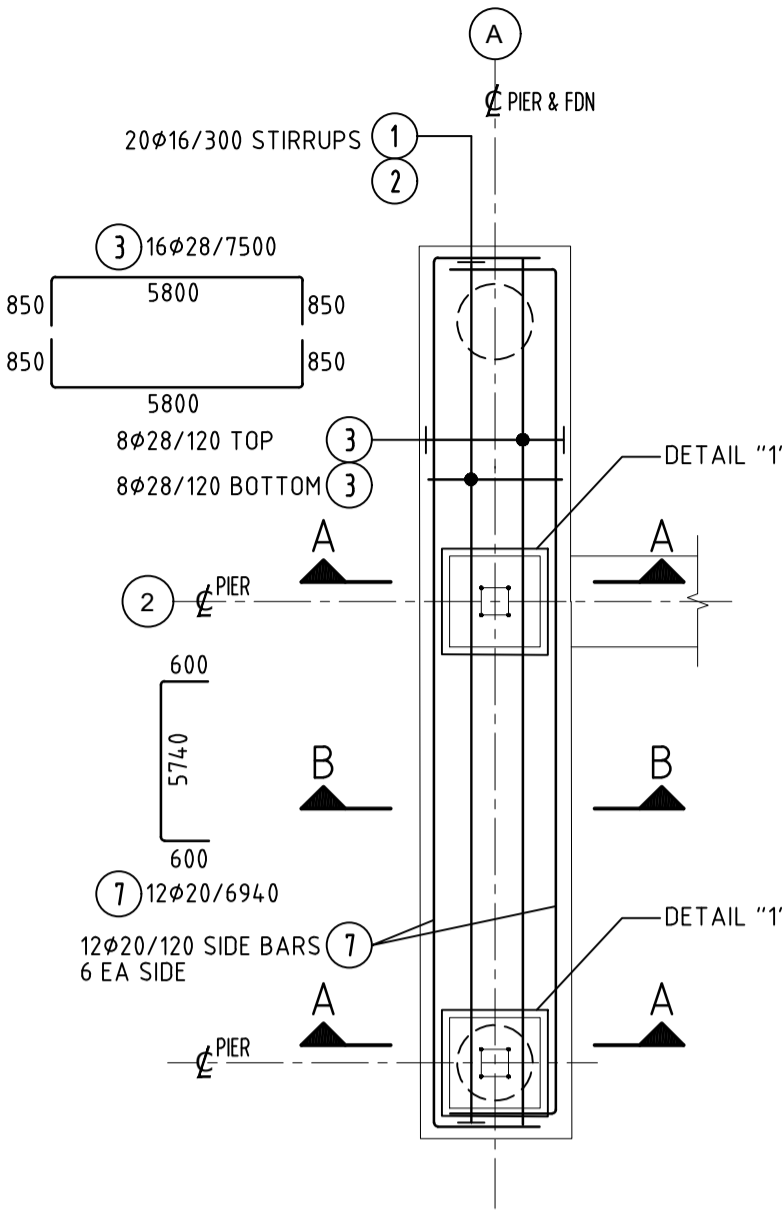
FOUNDATION - REINFORCEMENT

SCALE 1:100



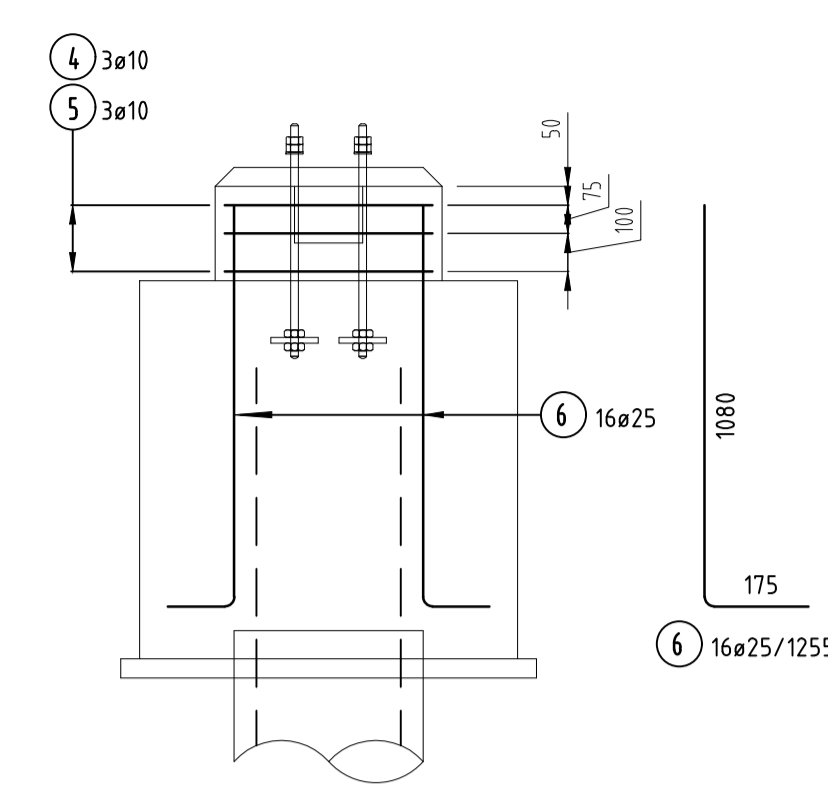
TIE-BEAM 1

SCALE 1:50



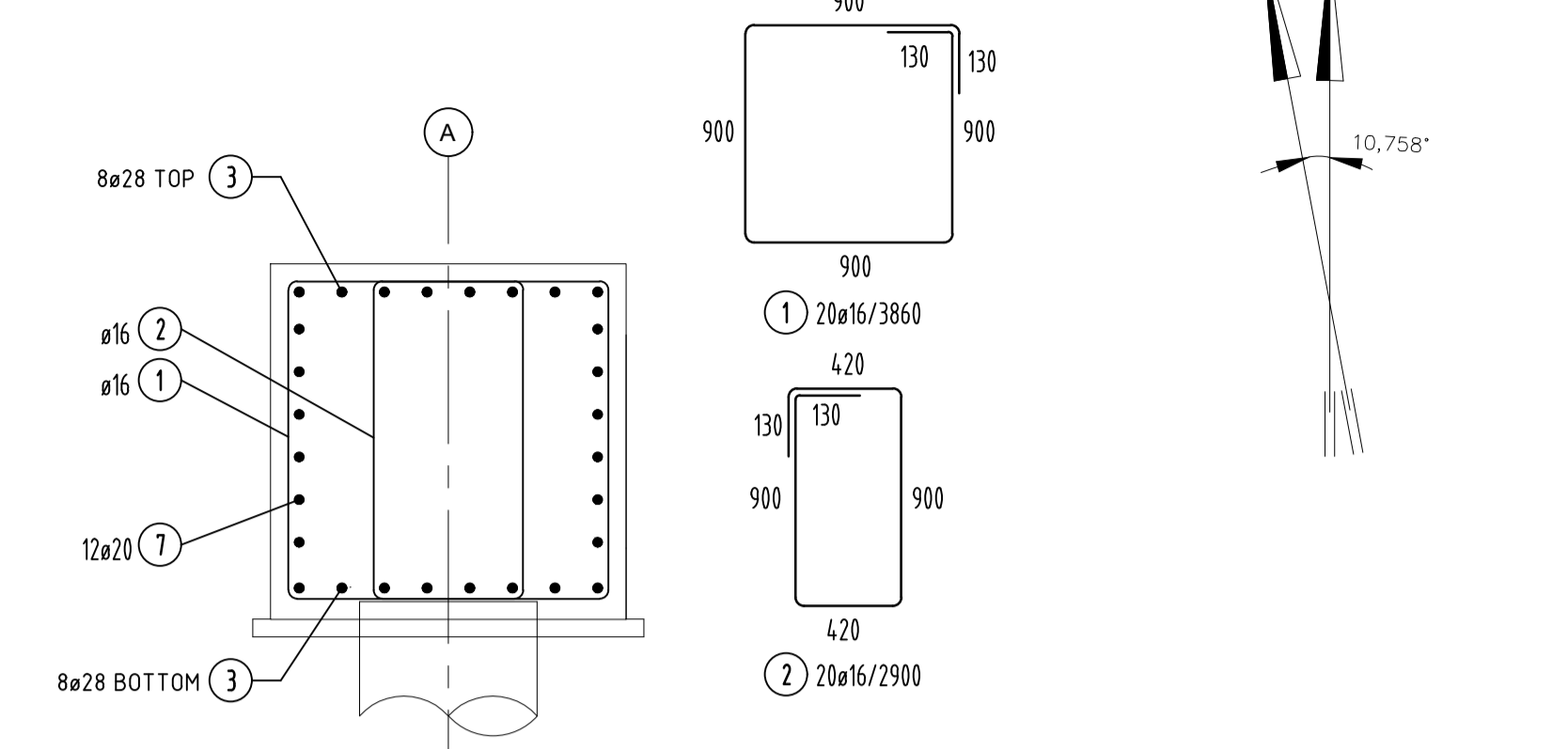
SECTION A-A

SCALE 1:20



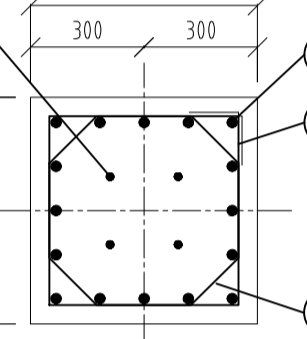
SECTION B-B

SCALE 1:20



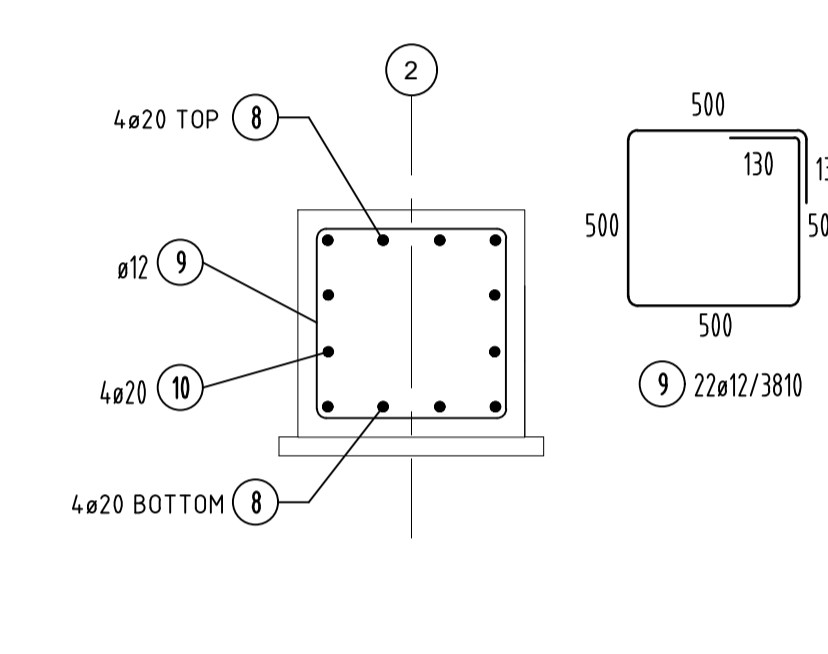
DETAIL "1"

SCALE 1:10



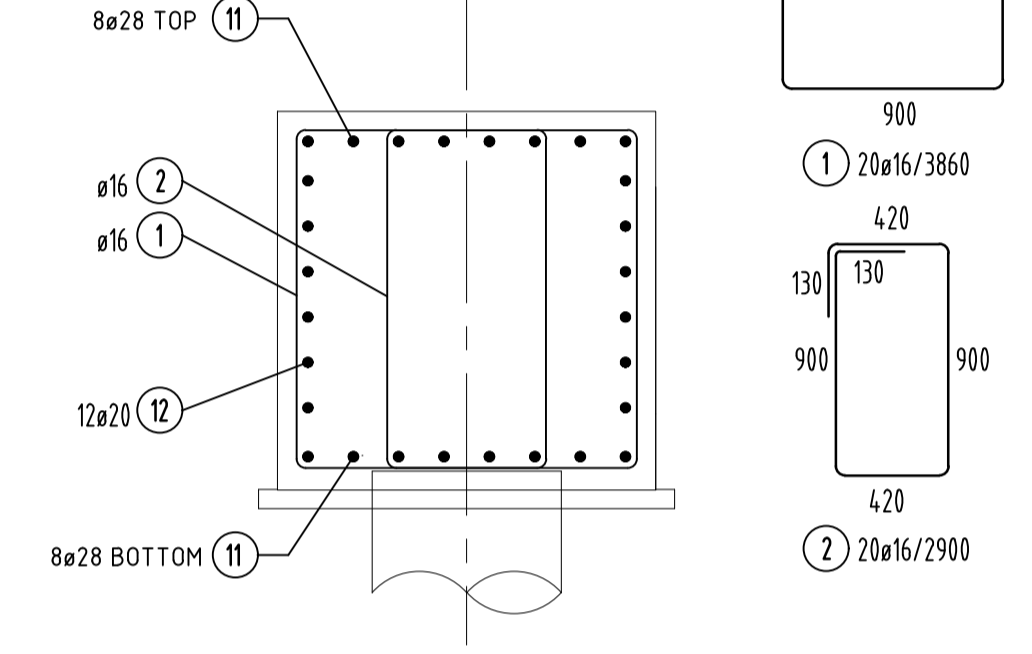
SECTION C-C

SCALE 1:20



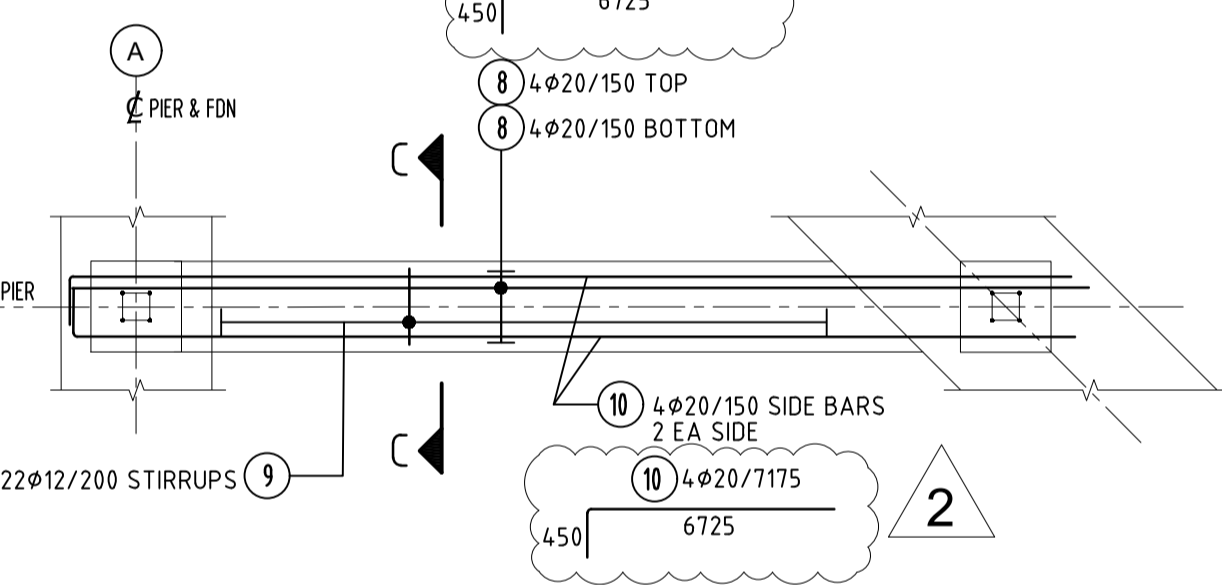
SECTION D-D

SCALE 1:20



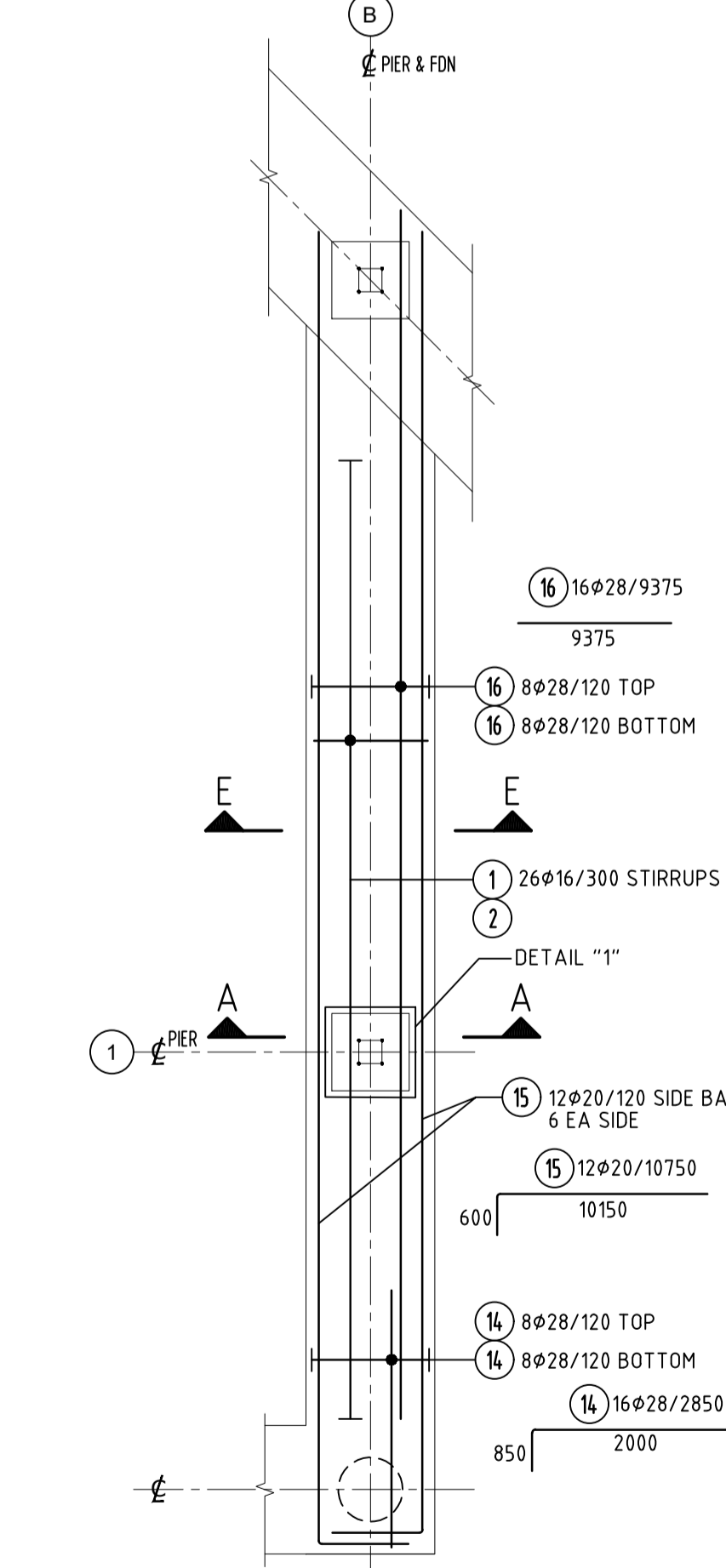
TIE-BEAM 2

SCALE 1:50



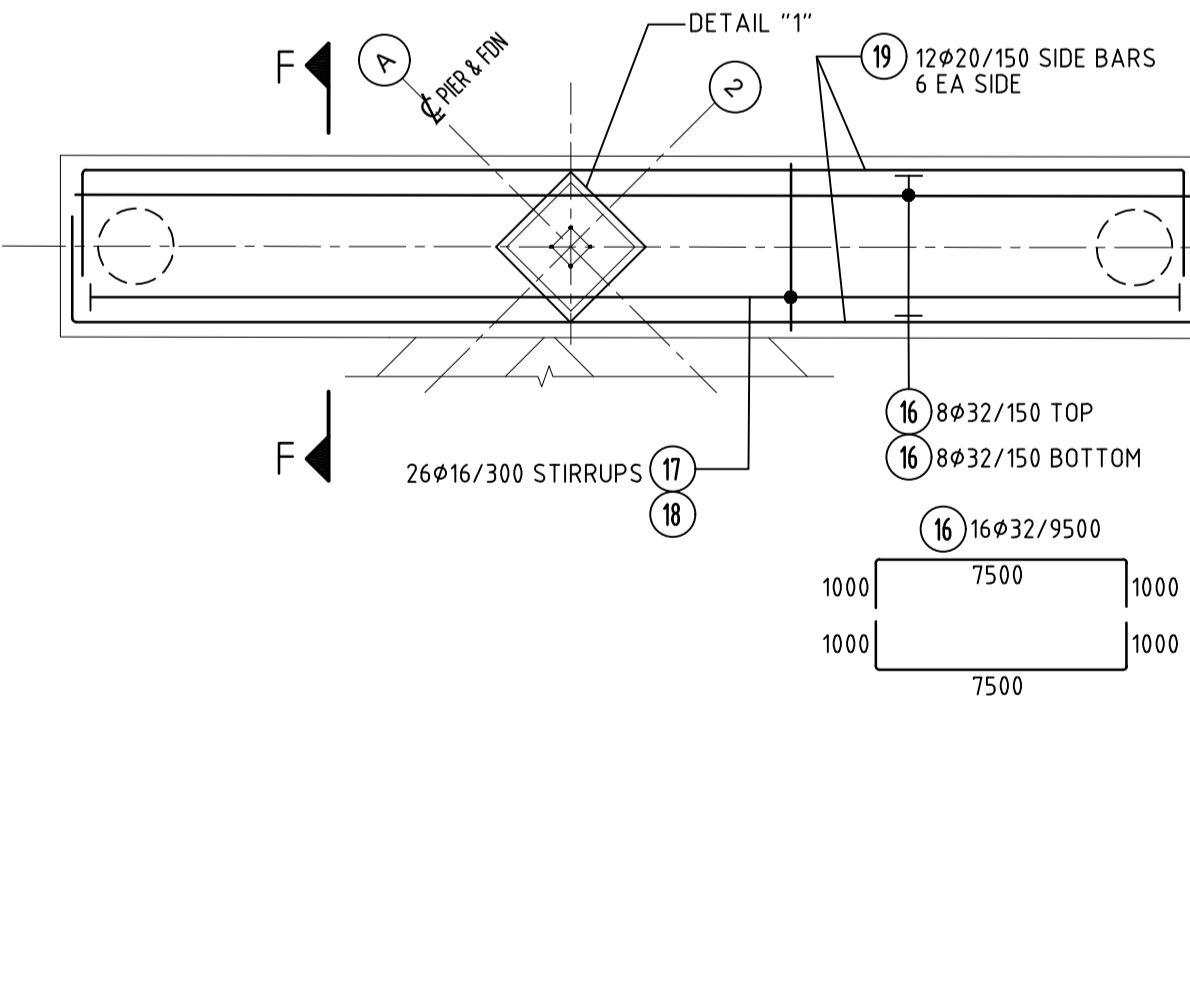
TIE-BEAM 4

SCALE 1:50



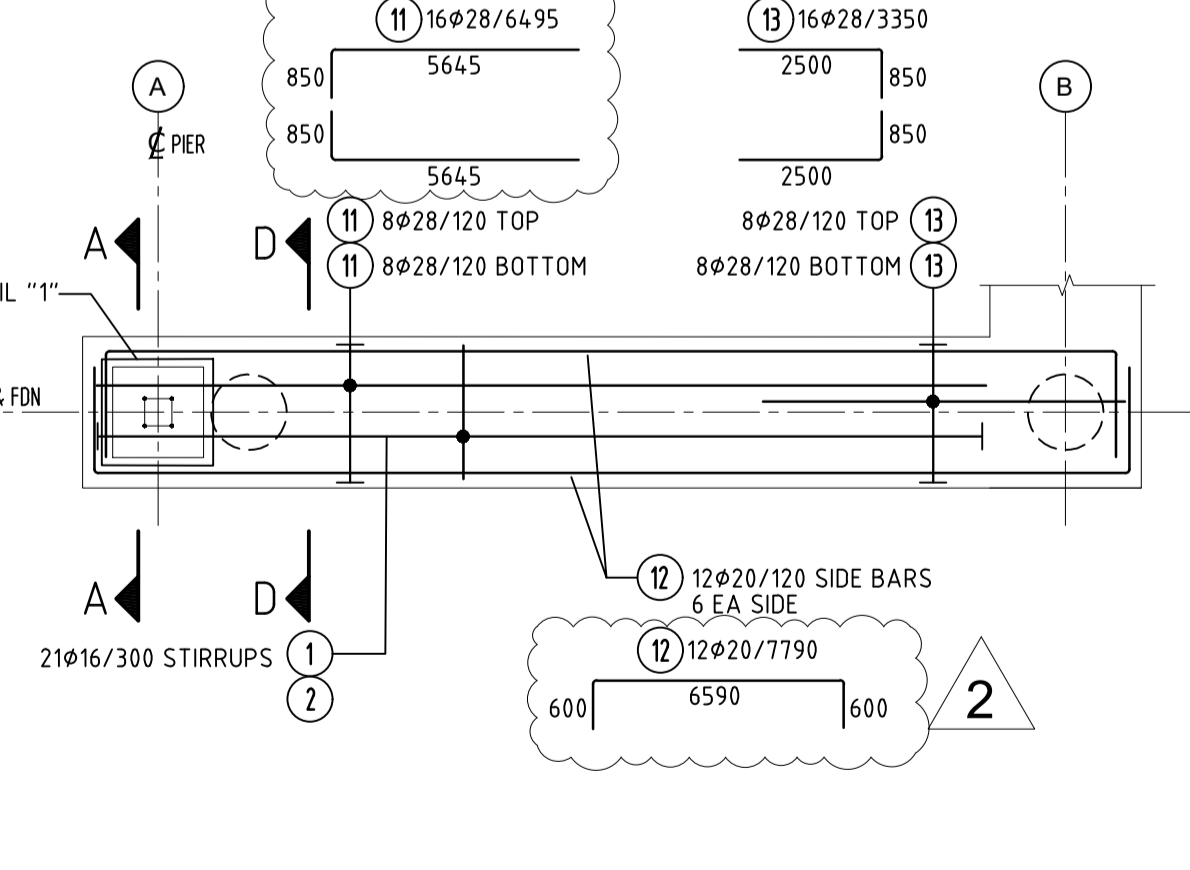
TIE-BEAM 5

SCALE 1:50



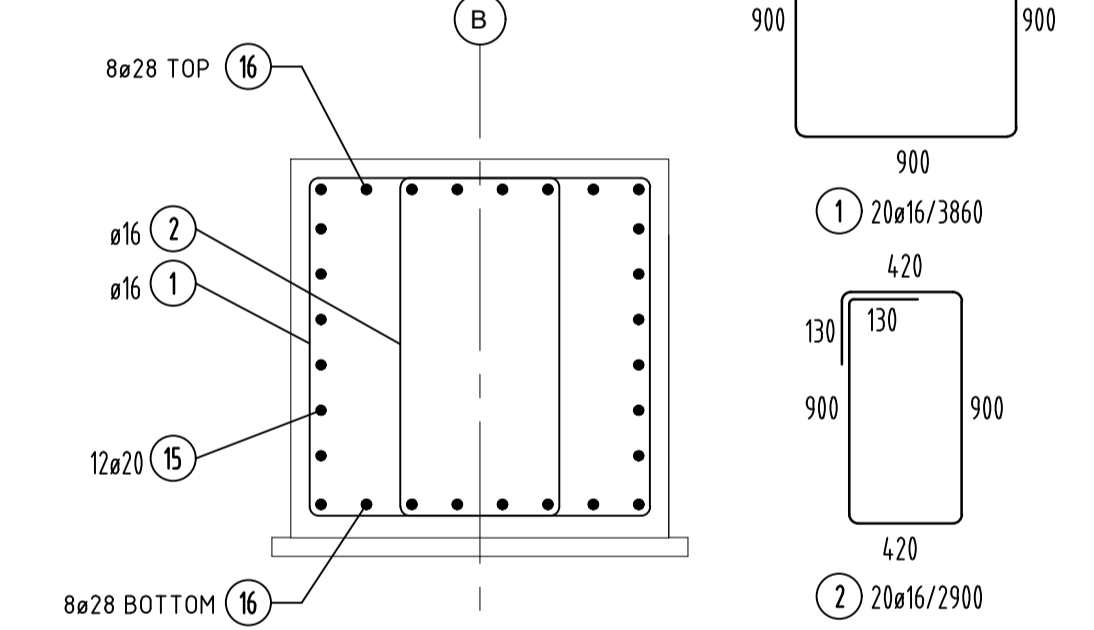
TIE-BEAM 3

SCALE 1:50



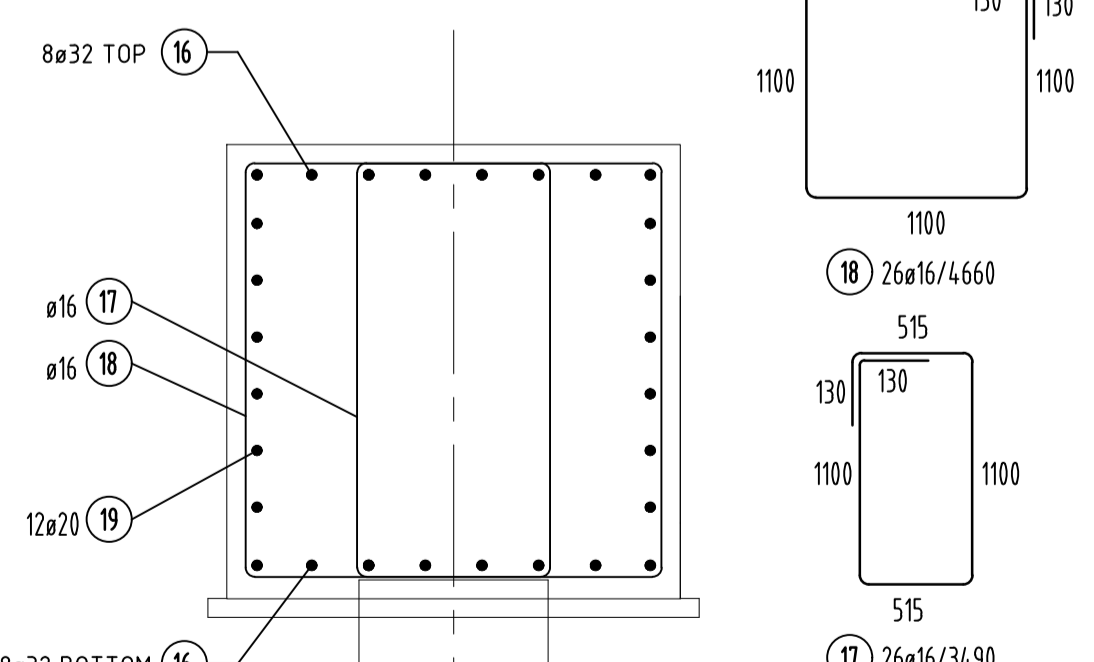
SECTION E-E

SCALE 1:20



SECTION F-F

SCALE 1:20



NOTES:

- 1) LOCALIZATION OF STRUCTURE - SEE DRAWING NO 00A8TE-215-GAD-001
- 2) BOC - BOTTOM OF CONCRETE
TOC - TOP OF CONCRETE
- 3) CLASS OF ANCHOR BOLTS - 8.8
- 4) FOR LOCATION PLAN - SEE DWG NO 00A8TE-215-GAD-001

sitech
services
VOOR
BOUWAANVRAAG
07-12-2022
MAINE
off-gas tie-in

HOLDS:

Foundation	
MATERIAL OF CONCRETE: C30/37	MATERIAL OF REINFORCEMENT: B 500B
ENVIRONMENTAL CLASS: XC4, XF1, XD2, XS1	
Concrete cover:	
bottom:	50mm
top:	50mm
side:	50mm

ROD CURVES

ds = 4ds for <math>\alpha < 20</math>
ds = 7ds for >math>\alpha > 20</math>

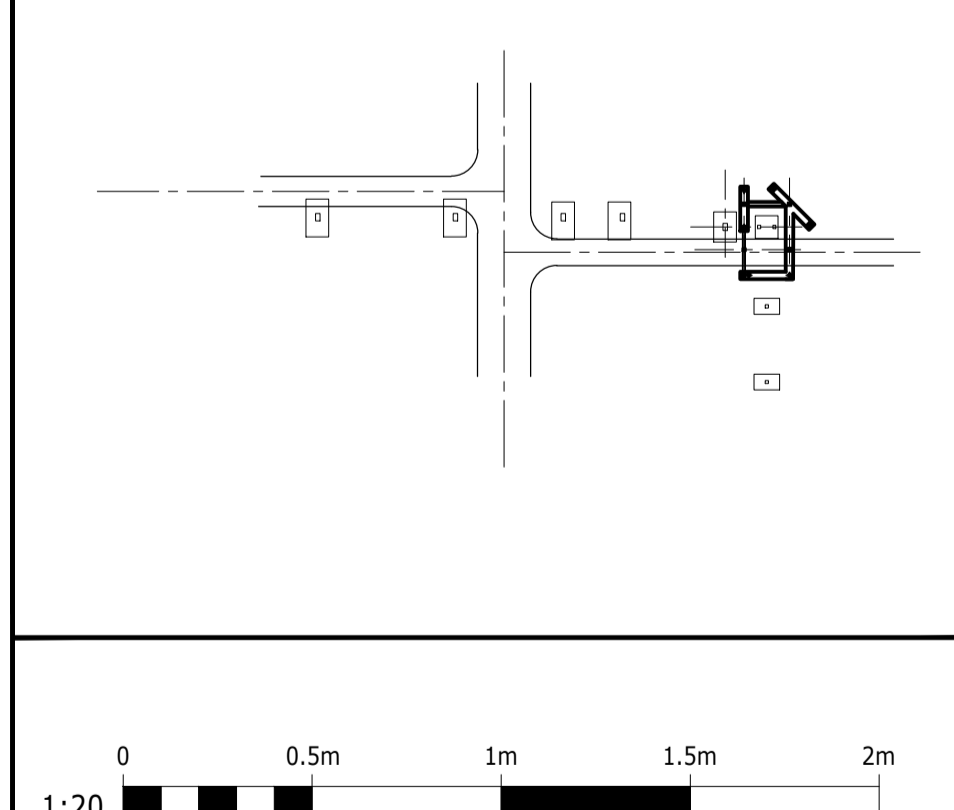
BAR DIAMETER ds in mm	Min dbr
6, 8, 10, 12	Min dbr = 150mm
14, 16	Min dbr = 240mm
20, 25, 28	Min dbr = 375mm
32	Min dbr = 480mm

HANGER

ds = 4ds for <math>\alpha < 20</math>
ds = 7ds for >math>\alpha > 20</math>

BAR DIAMETER ds in mm	Min dbr
6, 8, 10, 12	Min dbr = 40mm
14, 16	Min dbr = 64mm
20, 25, 28	Min dbr = 175mm
32	Min dbr = 225mm

KEY PLAN



REV	DATE	REVISION DESCRIPTION	BY	CHK	APPV	REV	DATE	REVISION DESCRIPTION	BY	CHK	APPV	REFERENCE DWG NUMBER	REFERENCE DRAWINGS
0	13-06-22	ISSUED FOR CLIENT REVIEW	DF	TJ	KL								
1	31-10-22	ISSUED FOR CLIENT REVIEW	MV	KL	KL								
2	10-11-22	ISSUED FOR CONSTRUCTION	NH	KL	KL								

FLUOR

NOTICE: THIS DRAWING HAS NOT BEEN PUBLISHED AND IS THE SOLE PROPERTY OF FLUOR AND IS LENT TO THE BORROWER FOR THEIR CONFIDENTIAL USE ONLY, AND IN CONSIDERATION OF THE LOAN OF THIS DRAWING, THE BORROWER PROMISES AND AGREES TO RETURN IT UPON REQUEST AND AGREES THAT IT WILL NOT BE REPRODUCED, COPIED, LENT OR OTHERWISE DISPOSED OF DIRECTLY OR INDIRECTLY, NOR USED FOR ANY PURPOSE OTHER THAN THAT FOR WHICH IT IS FURNISHED.

CONTRACT

DESIGNED BY

CHECKED BY

SUPERVISOR

LEAD ENGR/SPEC.

FLUOR

CLIENT

AnCore

SCALE 1:20

DRAWING NUMBER 00A8TE-215-GAD-002

REV 2

CAD FILE NAME

.DWG