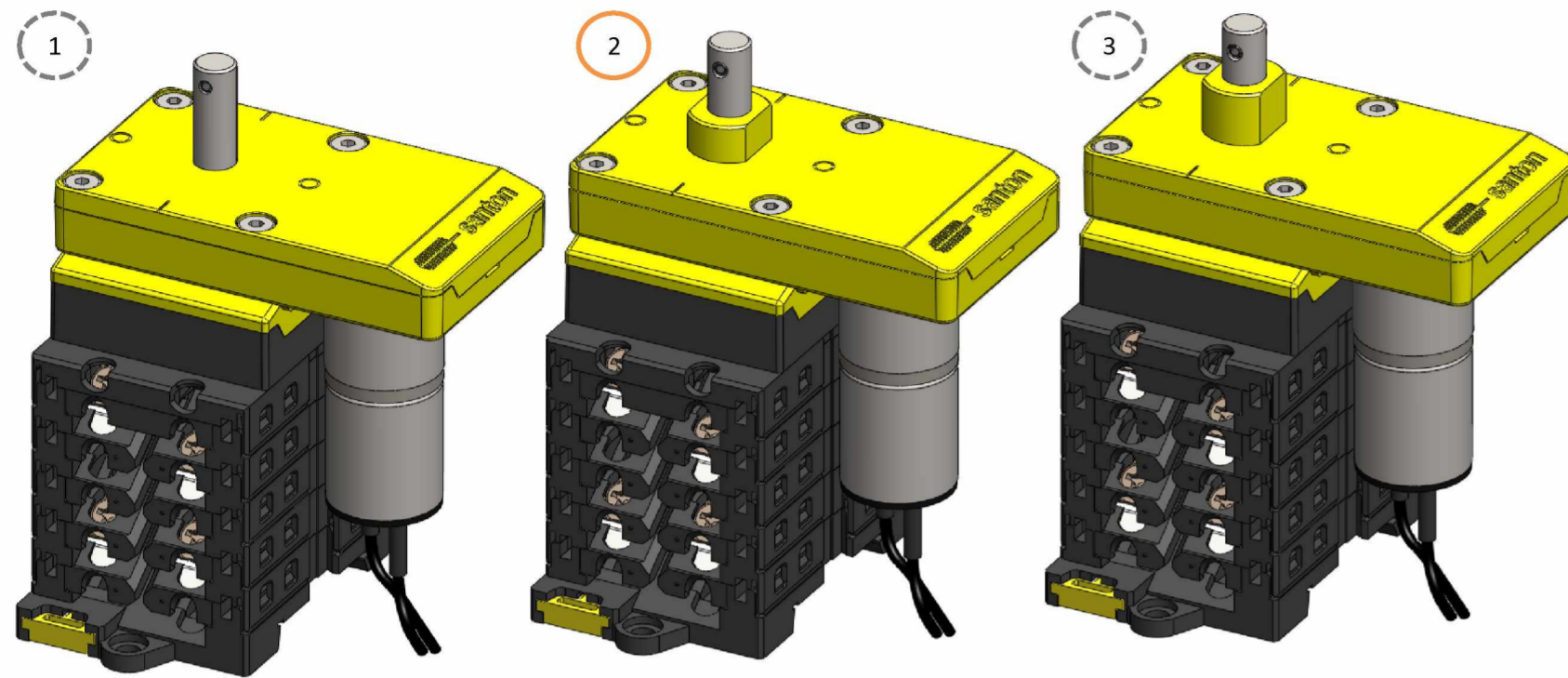


Motor driven switch disconnecter for solar application
Not certified yet



Technical data - Motor		Symbol	Merit	Unit
rated operational voltage (± 5%)		Ue	24	V dc
rated operational current		Ie	0,3	A dc
No load current		I	0,08	A dc
No load speed		V	9,2	rpm
Rated load current		I	0,15	A dc
Rated load speed		V	7,5	rpm
Stall current		I	0,8	A dc
max power dissipation (at stall)		P	19,2	W
Motor terminal type	Solder lips (supplied without wiring)			
IP rating solder lips	IP00			
IP rating solder lips	IP00			
Technical data - Motor driven switch		Symbol	Merit	Unit
method of operation	independent manual operation (90deg) and independent motor driven operation (clockwise (CW) or counter clockwise (CCW))			
positions	OFF at 3 hr, ON at 6 hr, OFF at 9 hr, ON at 12 hr			
Accessoires	(1)	IP 65 gasket		
	(2) & (3)	IP 65 gasket & M16 Nut		
ambient temperature allowed between			- 25 to + 70	°C
storage temperature allowed between			- 40 to + 80	°C
maximum relative humidity, without condensation at 20°C			90	%
Number of mechanical operations (ON & OFF)	According to IEC60947-3	10000	cycles	
	According to Factory tests	15000	cycles	
Mounting method(s)	Dimensions	X		
Bottom mounting or Panel mounting (four holes)	(1)	0	mm	
Panel mounting (single hole), panel thickness 1-3mm	(2)	8,5	mm	
Panel mounting (single hole), panel thickness 3-7mm	(3)	12	mm	

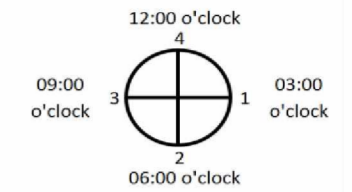
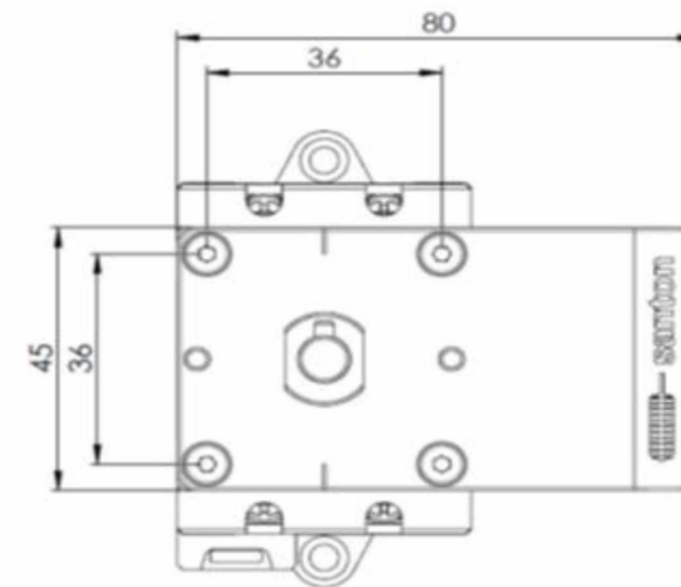
Instructions for usage

The manual operation of the switch is **only** in 90 degree angle from each switch position. The direction of rotation is depending the motor direction, this means motor direction clockwise will result in manual direction clockwise from 9 o'clock to 12 o'clock and from 12 o'clock back to 9 o'clock. Otherwise this means motor direction counter clockwise will result in manual direction counter clockwise from 3 o'clock to 12 o'clock and from 12 o'clock back to 3 o'clock. See also below scheme for explanation.

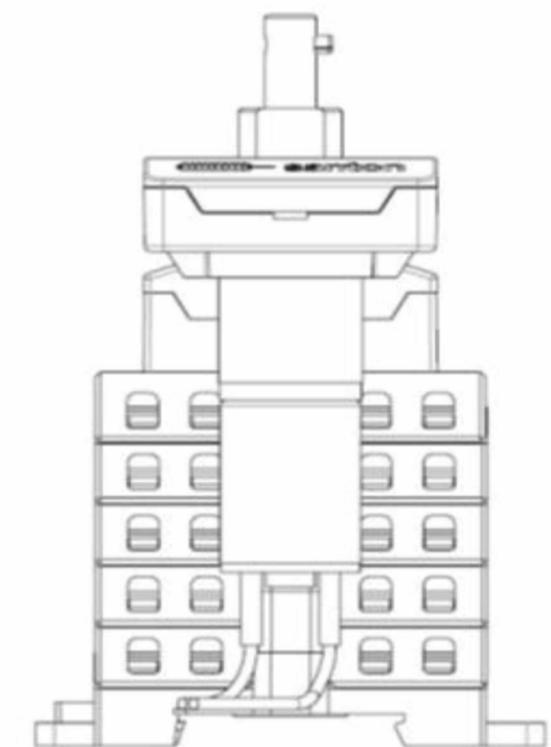
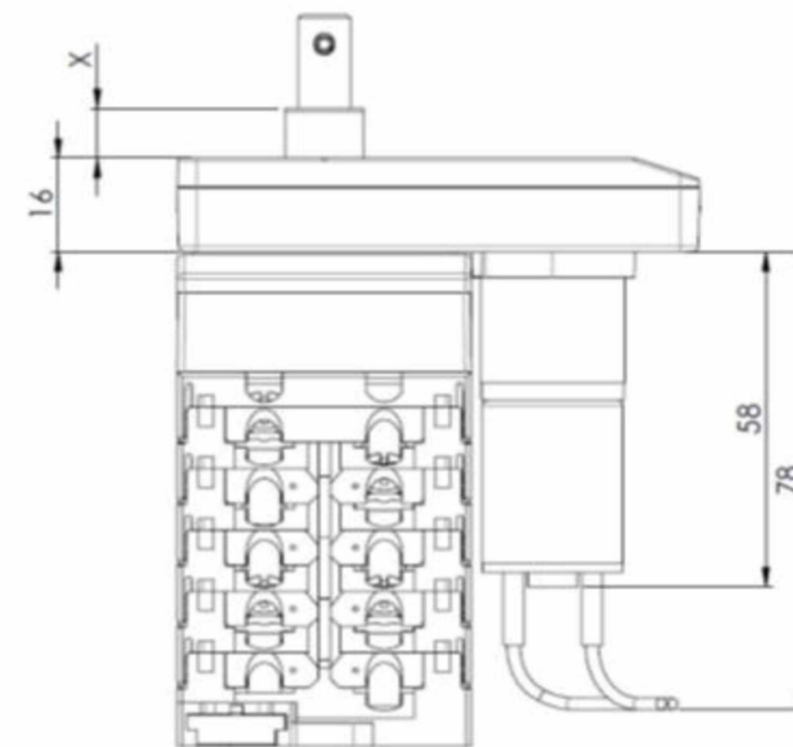
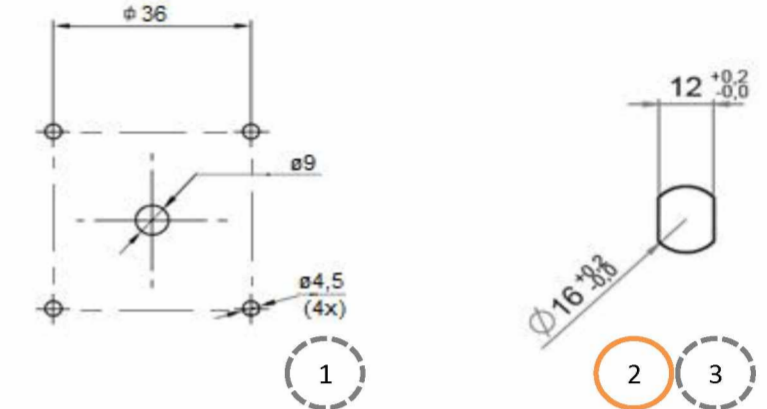
- **Do not** force the manual operation with more than 1.5Nm.
- **Do not** block the manual operation during motor movement. This will damage the motor.

The technical details and connections for the X-type switch can be found in the datasheet/manual of the switch. The X-type switch will be equipped with an Auxiliary contact that needs to be used for the motor control wiring, see wiring example. The connections of the motor are solder lips. The + and - pole of the motor are indicated next to the solder lips.

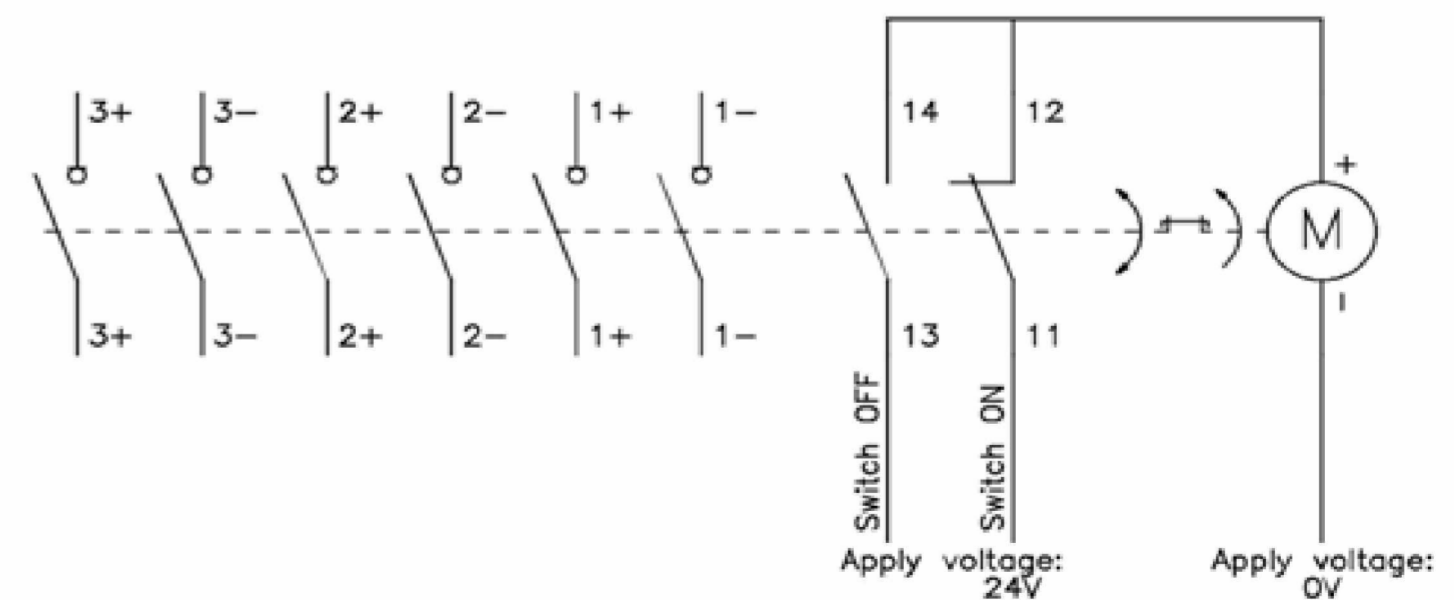
Dimensioning



Panel mounted switches - Panel cut out



Wiring example



Dimensions, specifications and data shown could be subject to change without notice.