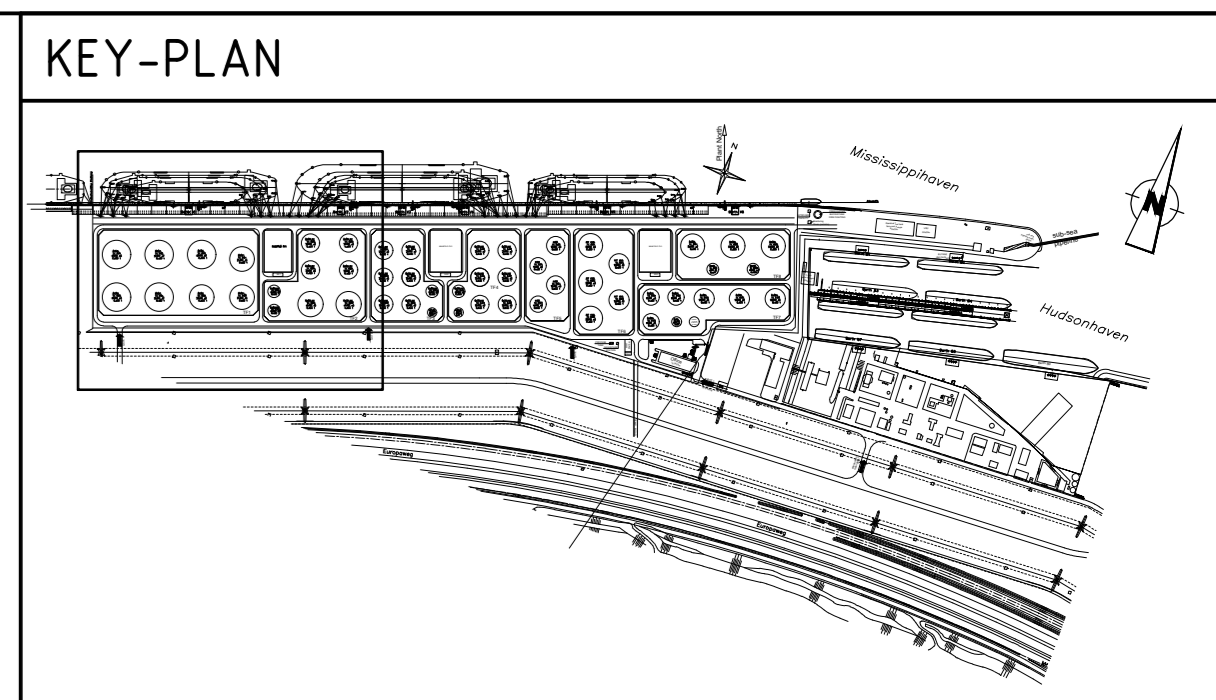
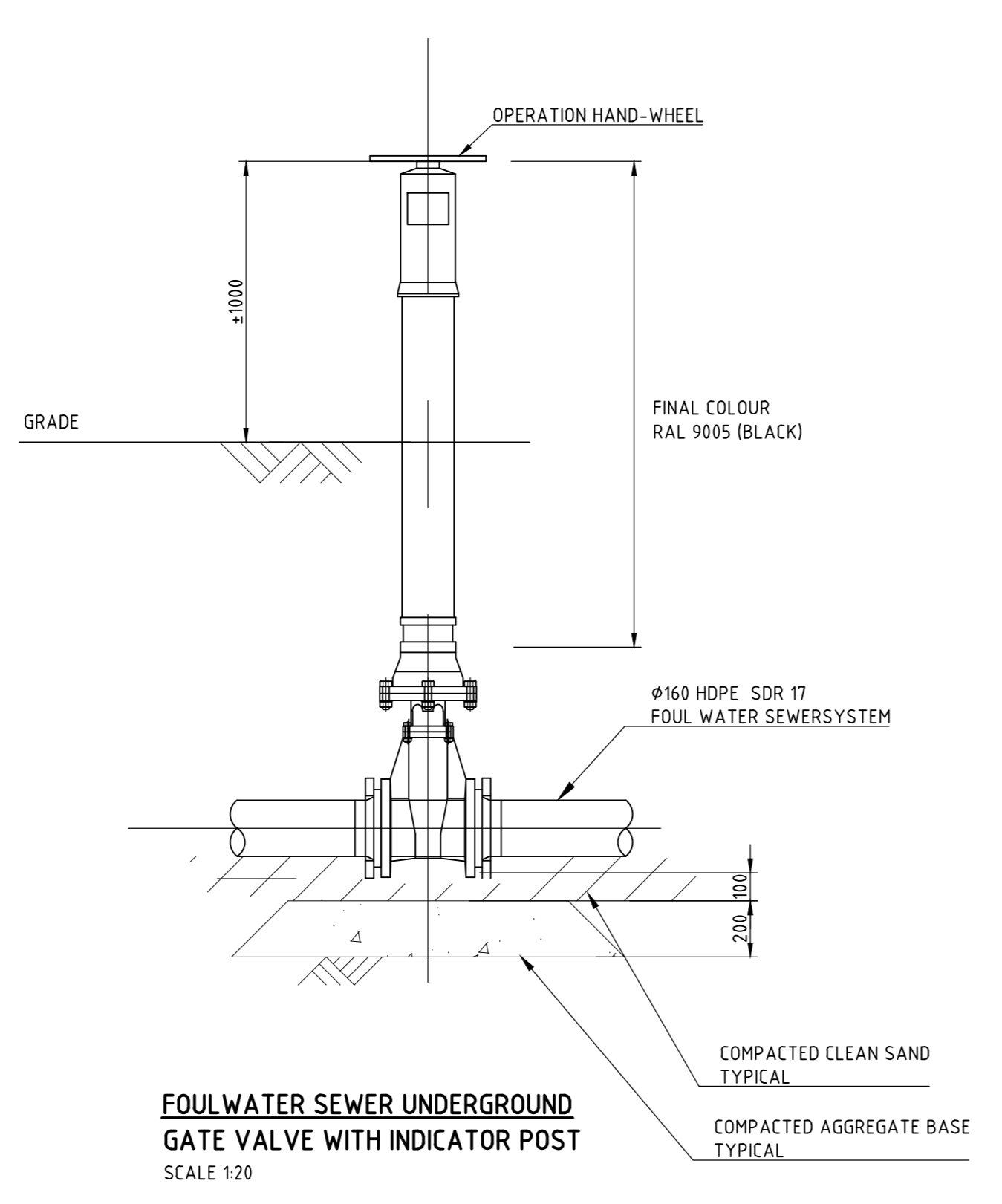
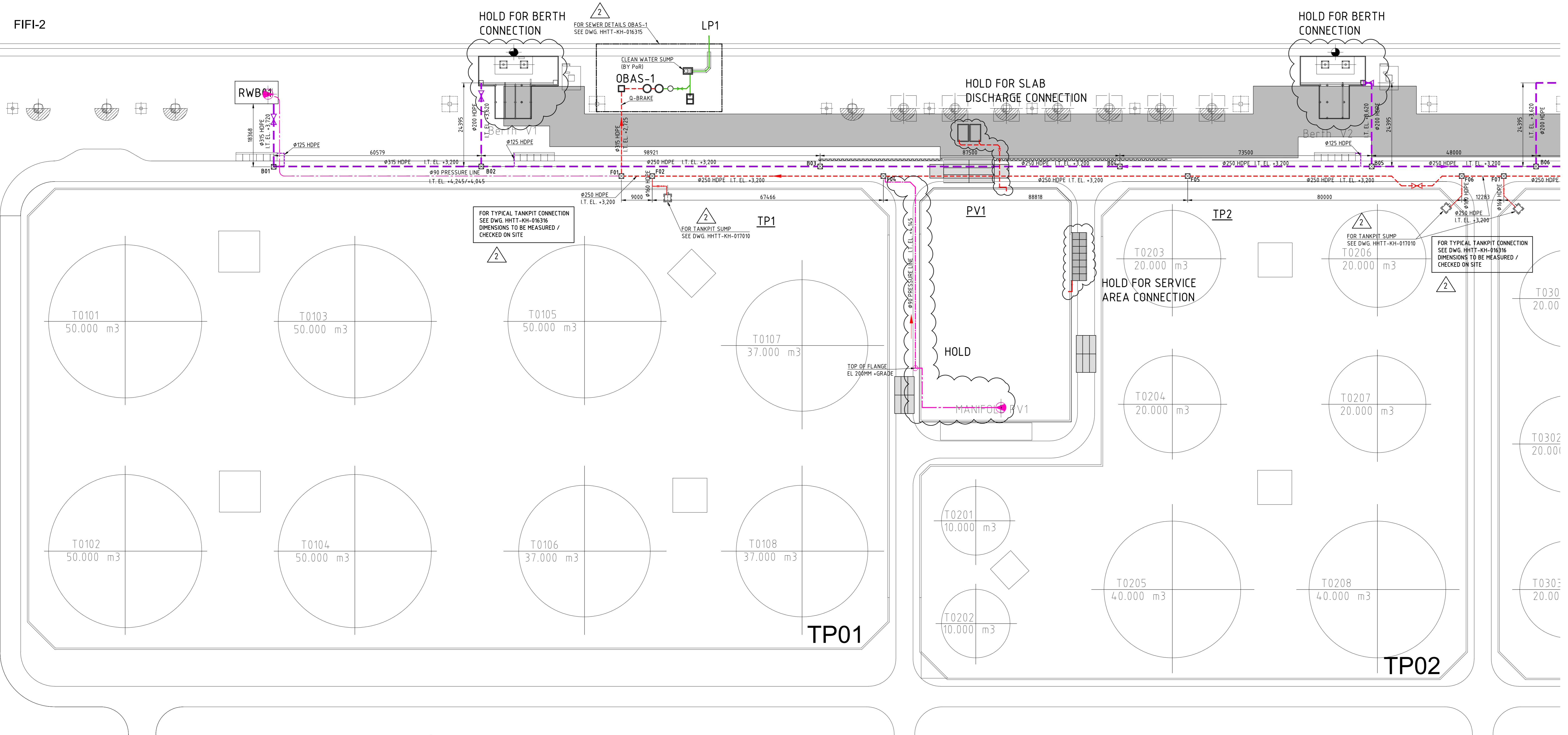


FIFI-2

Verreinigungs-  
GATE FIRE BRIGADE  
STEINWEG



**GENERAL NOTES**

- ALL DIMENSIONS IN MM
- ELEVATION IN M ACC. TO N.A.P.
- FOR COATING AND PAINTING STANDPIPE / INDICATOR SEE PAINTING SPECIFICATION

**LEGEND**

- CLEAN WATER SEWER (HDPE)
- FOUL WATER SEWER (HDPE)
- FOUL WATER PRESSURE LINE (HDPE)
- FOUL WATER INTERMEDIATE BUFFER LINE (HDPE)
- FLOW DIRECTION
- MANHOLE 1400x1400mm WITH CAST IRON COVER (D400)
- VALVE NORMALLY CLOSED
- UNDERGROUND VALVE WITH INDICATOR POST
- GATE VALVE KENNEDY 7781 WITH P.1 PLATE PN16
- INDICATOR POST KENNEDY FIG. 2945A (OR EQUAL)
- BODY CAST IRON ASTM A126 CLASS B
- SLUICE GATE
- STREET GULLY 300x450 WHERE INDICATED
- LP2 CLEAN WATER DISCHARGE POINT (2)
- CHECK VALVE
- 25 SUBMERGED SEWER PUMP (25m<sup>3</sup>/h)
- IT. INSIDE TOP

**REFERENCE DRAWINGS**

HHTT-KH-016305	UNDERGROUND ROAD SECTIONS PART 1
HHTT-KH-016306	UNDERGROUND ROAD SECTIONS PART 2
HHTT-KH-016307	UNDERGROUND ROAD SECTIONS PART 3
HHTT-KH-016311	UNDERGROUND GENERAL SEWER LAYOUT PART 1
HHTT-KH-016312	UNDERGROUND GENERAL SEWER LAYOUT PART 2
HHTT-KH-016313	UNDERGROUND GENERAL SEWER LAYOUT PART 3
HHTT-KH-016314	UNDERGROUND GENERAL SEWER LAYOUT PART 4
HHTT-KH-016315	UNDERGROUND SEWER DETAILS 1
HHTT-KH-016316	UNDERGROUND SEWER DETAILS 2
HHTT-KH-016317	CLEAN AND FOUL WATER SUMPS

RELEASED FOR DETAIL DESIGN

**KH Engineering** 67620-D-14-16-1100-361

HES  
HES Harfel Tank Terminal  
Released for Detail Design  
16 October 2019  
HHTT Document Control

REV.	DATE	DESCRIPTION	DRAWN	CHECK	APP'D
02	11-30-2019	REFERENCES ADDED	BBS	RIW	RIW
01	15-06-2019	REVISED AS INDICATED	EPA	RIW	RIW
00	05-01-2019	FOR DETAIL DESIGN	EPA	RIW	RIW

PROJECT: HHTT  
CLIENT: HES Harfel Tank Terminal B.V.  
TITLE: GENERAL LAY OUT  
UNDERGROUND FOUL WATER SEWER LAYOUT (PART 1)  
PROJ. No.: 67620-001  
CLIENT PROJ. No.:  
DRAWING No.: HHTT-KH-016361

SCALE	A0
SHEET	1/1
REV	2